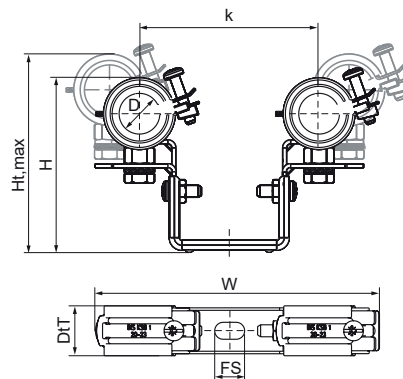


Walraven Duplo KSB1

(A1515)

for heating pipes



Features & benefits

- two clamps on connection bracket
- clamp with quick locking system, type KSB
- for fixing of two pipes
- bracket reinforced for extra strength
- centre distance and distance between wall and clamp adjustable
- material: steel
- zinc plated
- sound insulating lining according DIN 4109

EPD

Product Number	VVS Number	Total Height	Total Width	Total Depth	Maximum Height	Fixing Slot	Max. Wall Distance Center Clamp	Min. Wall Distance Center Clamp	Maximum Allowed Load Fax	Maximum Allowed Load Fax
Reference letter		H	W	DtT	Ht,max	FS			F _{a,z}	F _{a,x}
Unit description		mm	mm	mm	mm	mm	mm	mm	N	N
3393218	018028018	82	140	25	94	15x9	79	67	210	110
3393223	018028023	87	142	25	105	15x9	82	70	210	110
3393228	018028028	92	147	25	108	15x9	85	73	210	110
3393235	018028035	99	154	25	112	15x9	89	77	210	110