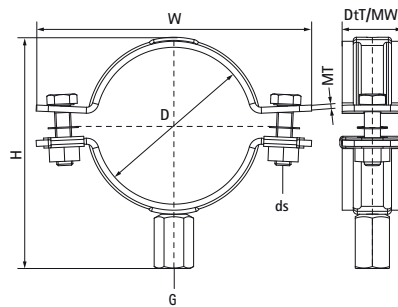


## Walraven Heavy Duty Clamp HD500 (M8/10) (Black)

(B1040)

for steel and stainless steel pipes, including fire mains



### Features & benefits

- two-part clamp with two locking bolts
- up to and including 5": locking nut is captive, hidden in plastic holder
- heavy design
- bolts secured with anti-loss washers
- with 360° CO<sub>2</sub> welded connection nut
- suitable for fire mains (DIN1988-600)
- with M8/10 connection for higher flexibility
- can be used with stainless steel pipe; the epoxy powder coating prevents contact corrosion between clamp and pipe
- material: steel
- surface protection:
  - black (RAL 9005) epoxy powder coating (60 µm)
  - product is part of the Walraven BIS UltraProtect® 1000 system
- suitable for in- and outdoor applications
- stands min. 1,000 hours salt spray test (max. 5% red rust) according to ISO 9227



Product Number	VVS Number	DN	Pipe Diameter Imperial	Connection Thread	Total Height	Total Width	Total Depth	Material Width	Material Thickness	Screw Size	Maximum Allowed Load Faz	Approvals
Reference letter		D	D	G	H	W	DtT	MW	MT	ds	Fa,z	
Unit description			"		mm	mm	mm	mm	mm		N	
3303B016	018024816	-	-	M8/M10	43	72	32	30	2.50	M8	2,100	ITB (KOT), EPD
3303B023	018024823	DN 15	1/2	M8/M10	50	79	32	30	2.50	M8	2,100	ITB (KOT)
3303B026	018024826	-	-	M8/M10	53	82	32	30	2.50	M8	2,100	ITB (KOT), EPD
3303B030	018024830	DN 20	3/4	M8/M10	57	85	32	30	2.50	M8	2,100	VdS, ITB (KOT), EPD
3303B036	018024836	DN 25	1	M8/M10	63	91	32	30	2.50	M8	2,100	VdS, ITB (KOT), EPD
3303B042	018024842	-	-	M8/M10	69	98	32	30	2.50	M8	2,100	VdS, ITB (KOT), EPD
3303B052	018024852	DN 40	1 1/2	M8/M10	79	109	32	30	2.50	M8	2,100	VdS, ITB (KOT), EPD
3303B058	018024858	-	-	M8/M10	85	114	32	30	2.50	M8	2,100	VdS, ITB (KOT)
3303B065	018024861	DN 50	2	M8/M10	92	121	32	30	2.50	M8	2,100	VdS, ITB (KOT), EPD