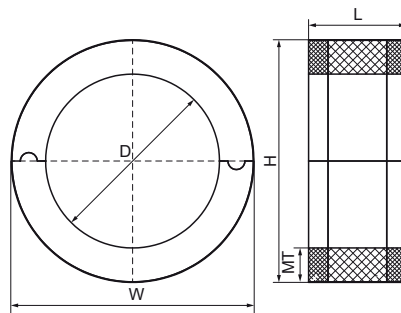


Walraven BISOFIX® E19

(D0314)

for insulated pipes



Features & benefits

- for combination with elastomeric foam insulation
- vapourproof glueable with pipe insulation
- does not contain CFC, HCFC, formaldehyde or cadmium
- fire class B2
- PIR density for $D < 80\text{mm}$ = 80kg/m^3
- PIR density for $D > 80\text{mm}$ = 120kg/m^3
- temperature range $-45\text{ }^\circ\text{C}$ - $+105\text{ }^\circ\text{C}$



Product Number	VVS Number	DN	Total Height	Total Width	Total Length	Material Thickness	Maximum Allowed Load Faz
Reference letter		D	H	W	L	MT	Fo,z
Unit description			mm	mm	mm	mm	N
I19000012			51	51	50	19.30	100
I19000015	018059115		54	54	50	19.50	100
I19000018	018059118	DN 10	57	57	50	19.30	100
I19000022	018059122	DN 15	61	61	50	19.30	100
I19000028	018059128	DN 20	67	67	50	19.30	100
I19000035	018059135	DN 25	75	75	50	19.90	100
I19000042	018059143	DN 32	81	81	50	19.30	150
I19000048	018059149	DN 40	88	88	50	19.90	225
I19000054	018059154		100	100	50	23.00	225
I19000057	018059157		103	103	50	23.00	225
I19000060	018059160	DN 50	100	100	50	19.90	350
I19000064	018059164		115	115	50	25.30	350
I19000070	018059170		125	125	50	27.30	425
I19000076	018059176	DN 65	127	127	50	25.30	575
I19000089	018059189	DN 80	140	140	50	25.30	875
I19000102	018059192		152	152	50	25.30	1,000
I19000108	018059190		159	159	50	25.30	1,075
I19000114	018059191	DN 100	165	165	50	25.30	1,250
I19000133			192	192	100	29.50	1,475
I19000140		DN 125	192	192	100	26.20	1,950
I19000160			211	211	100	25.30	2,125
I19000168		DN 150	219	219	100	25.30	3,525
I19000219		DN 200	270	270	100	25.30	3,525
I19000273		DN 250	324	324	100	25.30	3,525
I19000324		DN 300	375	375	100	25.30	3,525
I19000356			407	407	100	25.30	3,525