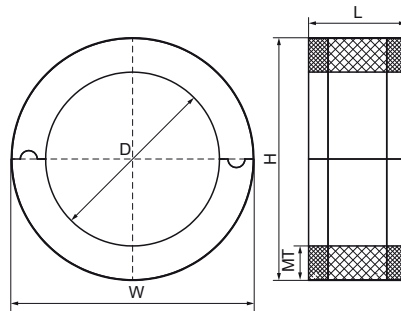


Walraven BISOFIX® E32

(D0338)

for insulated pipes



Features & benefits

- for combination with elastomeric foam insulation
- vapourproof glueable with pipe insulation
- does not contain CFC, HCFC, formaldehyde or cadmium
- fire class B2
- PIR density for $D < 80\text{mm} = 80\text{kg/m}^3$
- PIR density for $D > 80\text{mm} = 120\text{kg/m}^3$
- temperature range $-45\text{ °C} - +105\text{ °C}$



Product Number	DN	Total Height	Total Width	Total Length	Material Thickness	Maximum Allowed Load Faz
Reference letter	D	H	W	L	MT	Fa,z
Unit description		mm	mm	mm	mm	N
I32000012		77	77	50	32.30	100
I32000015		80	80	50	32.50	100
I32000018	DN 10	83	83	50	32.30	100
I32000022	DN 15	88	88	50	33.00	100
I32000028	DN 20	100	100	50	36.00	100
I32000035	DN 25	100	100	50	32.50	100
I32000042	DN 32	108	108	50	32.80	150
I32000048	DN 40	113	113	50	32.30	225
I32000054		125	125	50	35.30	225
I32000060	DN 50	125	125	50	32.30	350
I32000064		152	152	50	44.00	350
I32000070		152	152	50	41.00	425
I32000076	DN 65	157	157	50	40.30	575
I32000089	DN 80	176	176	50	43.55	875
I32000102		192	192	50	45.20	1,000
I32000108		192	192	50	42.00	1,075
I32000114	DN 100	195	195	50	40.30	1,250
I32000133		218	218	100	42.70	1,475
I32000140	DN 125	220	220	100	40.30	1,700
I32000160		241	241	100	40.50	1,950
I32000168	DN 150	249	249	100	40.30	2,125
I32000219	DN 200	315	315	100	48.00	3,525
I32000273	DN 250	354	354	100	40.30	4,925