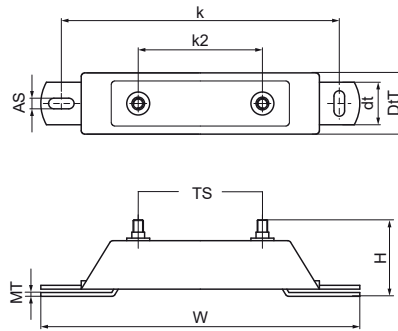


Walraven dB-FiX® 200 Fixing Point Assembly

(E0525)

for noise insulation fixing point



Features & benefits

- noise insulating fixing point for pipes up to Ø 8" (clamp Walraven HD500 Ø 217 - 227 mm)
- very stable
- material: steel
- zinc plated
- noise insulation by moulded EPDM rubber
- sound insulating lining according DIN 4109



Product Number	VVS Number	Total Height	Total Width	Total Depth	Depth	Anchoring Slot	Heart To Heart Distance	Heart To Heart Distance 2	Material Thickness	Thread Size	Maximum Allowed Load Faz	Maximum Allowed Load Fay
<i>Reference letter</i>		<i>H</i>	<i>W</i>	<i>DtT</i>	<i>Dt</i>	<i>AS</i>	<i>k</i>	<i>k 2</i>	<i>MT</i>	<i>TS</i>	<i>Fa,z</i>	<i>Fa,y</i>
<i>Unit description</i>		<i>mm</i>	<i>mm</i>	<i>mm</i>	<i>mm</i>	<i>mm</i>	<i>mm</i>	<i>mm</i>	<i>mm</i>		<i>N</i>	<i>N</i>
6693020	018029788	100	375	65	50	30x12.5	325	145.5	4.00	M12	7,000	6,600