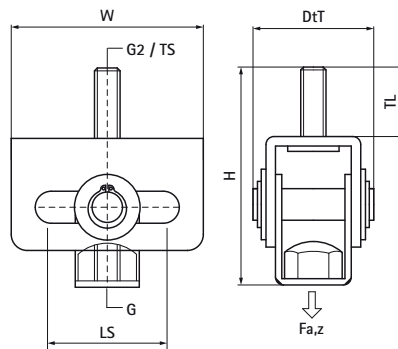


Walraven Expansion Joint

(E1015)

fixing with sliding assemblies



Features & benefits

- for accommodation of pipe thermal expansion or contraction
- low space requirement, can only be used for ceiling mounting (hanging)
- economical solution when low expansion
- compatible with all Walraven rail systems
- material: steel
- zinc plated

Product Number	VVS Number	Connection Thread	Connection Thread 2	Total Height	Total Width	Total Depth	Slide Distance	Thread Length	Thread Size	Maximum Allowed Load Faz
<i>Reference letter</i>		<i>G</i>	<i>G2</i>	<i>H</i>	<i>W</i>	<i>DtT</i>	<i>Ls</i>	<i>TL</i>	<i>TS</i>	<i>Fa,z</i>
<i>Unit description</i>				<i>mm</i>	<i>mm</i>	<i>mm</i>	<i>mm</i>	<i>mm</i>		<i>N</i>
6653310	018066710	M8/M10	M10	69	60	40	35	21	M10	1,500