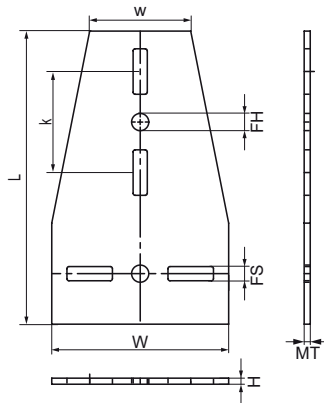
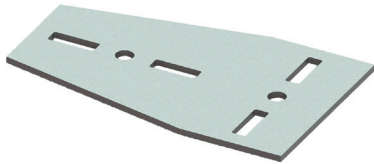


Walraven Maxx T-Connector

(H20536)

to make Maxx rail fabrications



Features & benefits

- T-connector for Maxx profiles
- advised to use from both sides always
- can also be used to strengthen Maxx constructions with a joint connection
- material: steel S235JR
- hot dip galvanized

Product Number	VVS Number	For Rail Type	Total Height	Total Width	Total Length	Material Thickness	Width	Fixing Hole	Fixing Slot	Heart To Heart Distance	Torque Moment For Installation	Maximum Allowed Load Faz	Maximum Allowed Load Fax
Reference letter			H	W	L	MT	w	FH	FS	k	T inst.	Fa,z	Fa,x
Unit description			mm	mm	mm	mm	mm	mm	mm	mm	Nm	N	N
6589119	018042381	80x80	5	175	270	5.00	80	17	45x14	100	75	14,500	5,000
6589911	018042382	100x100, 100x120, 100x150	6	175	290	6.00	100	17	45x14	100	75	14,500	5,000