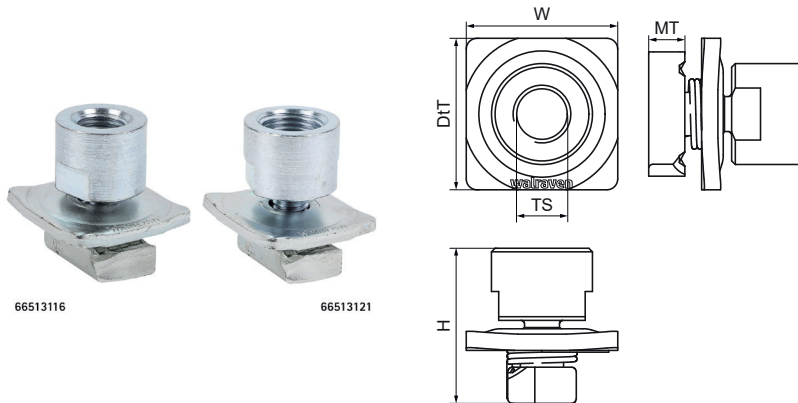


## Walraven RapidStrut® Slide Nut with Adapter MS (ZP)

(H2412)

for quick connection of clamps and threaded rods



### Features & benefits

- slide nut with adapter, washer and metal spring
- to connect clamps with M16 or 1/2" nut to Walraven RapidStrut® rails
- ready-to-use pre-assembled for a quick fixing, and retains assembly in place before final tightening
- solid washer for strong connection
- robust since completely made from metal
- material: base component: steel 1.0332; stud connector: steel 1.0718 (11SMnPb30)
- base component: zinc plated ISO 2081-Fe/Zn5/A (EN ISO 2081:2008); stud connector: zinc plated Fe/Zn8/An/TO (EN-ISO 19598)
- Tested values in combination with Walraven RapidStrut® Rail 41x41x2.5mm.

Product Number	VVS Number	For Rail Type	Thread Size	Material Thickness	Torque Moment For Installation	Maximum Allowed Load Fax	Maximum Allowed Load Faz	Total Height	Total Width	Total Depth
Reference letter			TS	MT	T inst.	F <sub>a,x</sub>	F <sub>a,z</sub>	H	W	DtT
Unit description				mm	Nm	N	N	mm	mm	mm
66513116	018044616	41x21, 41x41, 41x51, 41x62, 41x82	M16	10.00	40	2,790	5,000	43	42	42
66513121	018044604	41x21, 41x41, 41x51, 41x62, 41x82	G1/2"	10.00	40	2,790	5,000	43	42	42