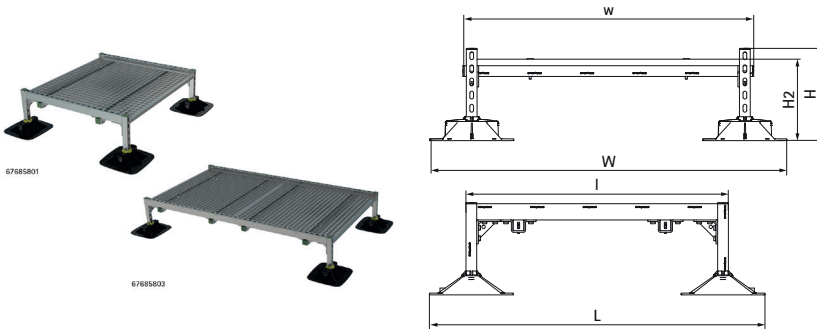


## Walraven Yeti® 335 Walkway

(I1005)

prefabbed Walkway Base Element for Rooftop Installations



### Features & benefits

- complete set for installation of walkways on flat and low pitched roofs
- with non-slip anti-vibration mat (at PVC roofs a separating layer must be installed to protect against plasticizer migration - see Walraven Walraven Yeti® Triplex Separation Layer)
- predefined load capacity: calculation not necessary
- pre-assembled ready-to-use set for quick installation
- adjustable in height from 23 mm to 33 mm
- mouldings made of WPC, a composite of recycled plastic and wood fibre
- resistant to UV and chemical influences
- product is part of the Walraven UltraProtect® 1000 system
- suitable for in- and outdoor applications
- rail system construction: surface protection: stands min. 1,000 hours salt spray test (max. 5% red rust) according to ISO 9227
- grids / steps: surface protection: hot dip galvanized
- noise reduction according to DIN EN ISO 10140-1 and DIN EN ISO 10140-3 up to 31 dB(A)
- UV-resistance according to EN ISO 16474-3:2014-02 - certified by ITB
- designs according to EN 14122
- For a detailed calculation and for support how to spread the load please contact Walraven Technical Support

Product Number	VVS Number	Total Height	Total Width	Total Length	Height 2	Length	Width	Maximum Allowed Load Faz
Reference letter		H	W	L	h 2	l	w	Fa,z
Unit description		mm	mm	mm	mm	mm	mm	N
67685801	018084501	348	1,362	1,280	311	1,000	1,100	2,000
67685803	018084502	348	1,362	2,280	311	2,000	1,100	2,000