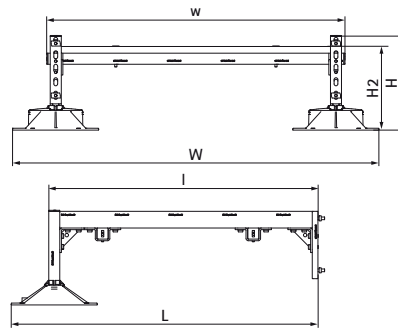


Walraven Yeti® 335 Walkway Extension

(I1010)

prefabbed Walkway Extension Set for Rooftop Installations



Features & benefits

- extension set for installation of walkways on flat and low pitched roofs
- with non-slip anti-vibration mat (at PVC roofs a separating layer must be installed to protect against plasticizer migration - see Walraven Walraven Yeti® Triplex Separation Layer)
- predefined load capacity: calculation not necessary.
- pre-assembled ready-to-use set for quick installation
- adjustable in height from 23 mm to 33 mm (pre-assembled to 33 mm height)
- mouldings made of WPC, a composite of recycled plastic and wood fibre
- resistant to UV and chemical influences
- product is part of the Walraven UltraProtect® 1000 system
- suitable for in- and outdoor applications
- rail system construction: surface protection: stands min. 1,000 hours salt spray test (max. 5% red rust) according to ISO 9227
- grids / steps: surface protection: hot dip galvanized
- noise reduction according to DIN EN ISO 10140-1 and DIN EN ISO 10140-3 up to 31 dB(A)
- UV-resistance according to EN ISO 16474-3:2014-02 - certified by ITB
- designs according to EN 14122
- In cases where a foot is used in roof applications, the installer is obliged to verify maximum load capacity of roof before installation



| Product Number | VVS Number | Total Height | Total Width | Total Length | Height 2 | Length | Width | Maximum Allowed Load Faz |
|------------------|------------|--------------|-------------|--------------|----------|--------|-------|--------------------------|
| Reference letter | | H | W | L | h 2 | l | w | Fa,z |
| Unit description | | mm | mm | mm | mm | mm | mm | N |
| 67685811 | 018084511 | 348 | 1,362 | 1,140 | 311 | 1,000 | 1,100 | 2,000 |
| 67685813 | 018084512 | 348 | 1,362 | 2,138 | 311 | 2,000 | 1,100 | 2,000 |