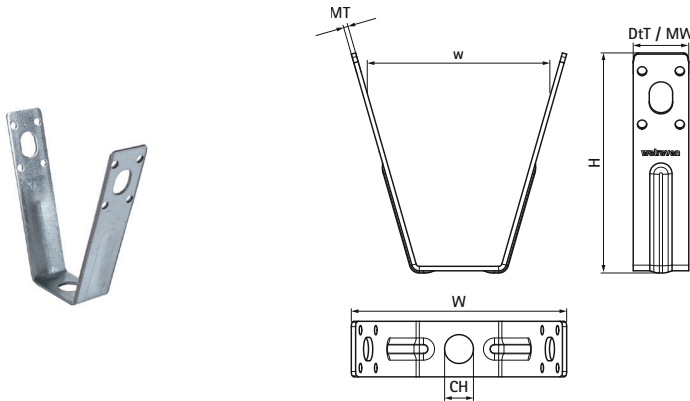


Walraven Roofing Sheet Hanger

(K2507)

fixing to trapeze roofing sheet



Features & benefits

- for mounting to profiled roofing sheet by means of pop rivets or threaded rod
- variable distance to roof hanger by using a threaded rod
- material: steel 1.0226
- pre-galvanized

Product Number	Connection	Connection Thread	Connection Hole	Width	Material Width	Material Thickness	Total Height	Total Width	Total Depth	Maximum Allowed Load Faz
<i>Reference letter</i>		G	CH	w	MW	MT	H	W	DtT	F _{0,z}
<i>Unit description</i>			mm	mm	mm	mm	mm	mm	mm	N
6785101	Hole	-	13	82	25	2.00	99	97	25	1,700