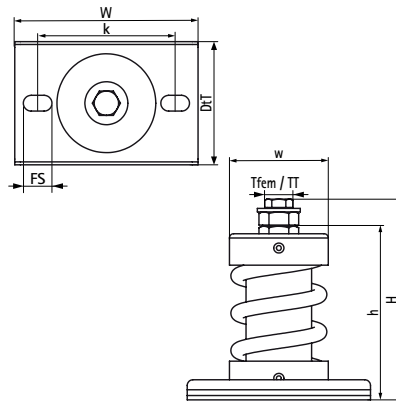


## Walraven VibraTek® MS-1X-CBL Spring Mount

(L20533)

high performance spring isolator for use with A-L1 welding bracket and concrete inertia base frames



### Features & benefits

- recommended for machinery with low working speeds above 600 rpm
- flexible internal filler prevents debris and solid elements entering and damaging the spring under load
- ribs in the metal base provide increased stiffness
- slot holes facilitate positioning and anchoring to the base material
- epoxy powder-coated base, caps and springs provide increased resistance to corrosion
- average ratio  $K_x / K_z = K_y / K_z = 0.7$
- working temperature range  $-90\text{ °C}$  till  $150\text{ °C}$

Product Number	VVS Number	Female Thread	Thread Type	Total Height	Total Width	Total Depth	Height	Width	Fixing Slot	Heart To Heart Distance	Recommended Minimum Load Faz	Recommended Maximum Load Faz	Maximum Static Deflection
Reference letter		Tfem	TT	H	W	DtT	h	w	FS	k			
Unit description				mm	mm	mm	mm	mm	mm	mm	N	N	mm
2801901000	018092810	M10	Metric	140	128	86	121	69	20x11	96	200	920	25
2801901250	018092812	M10	Metric	140	128	86	121	69	20x11	96	250	1,150	25
2801901500	018092815	M10	Metric	140	128	86	121	69	20x11	96	300	1,380	25
2801902000	018092820	M10	Metric	140	128	86	121	69	20x11	96	400	1,840	25
2801903000	018092830	M10	Metric	140	128	86	121	69	20x11	96	600	2,760	25
2801904000	018092840	M10	Metric	140	128	86	121	69	20x11	96	800	3,680	25
2801905000	018092850	M10	Metric	140	128	86	121	69	20x11	96	1,000	4,600	25
2801906000	018092860	M10	Metric	140	128	86	121	69	20x11	96	1,200	5,520	25