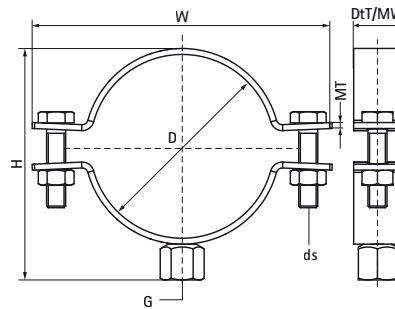


Walraven Clamp HD700 SSt A4 M10

(M0515)



Features & benefits

- two-part clamp with two locking bolts
- heavy design
- with CO₂ welded connection nut
- material: stainless steel 1.4404 (2B) - EN 10088, AISI 316L

Product Number	VVS Number	DN	Connection Thread	Total Height	Total Width	Total Depth	Material Width	Material Thickness	Screw Size	Maximum Allowed Load Faz
Reference letter		D	G	H	W	D _t /MW	MW	MT	ds	F _{a,z}
Unit description				mm	mm	mm	mm	mm		N
33074077	018015363	DN 65	M10	97	126	20	20	2.50	M8	3,000
33074086	018015364		M10	106	134	20	20	2.50	M8	3,000
33074095	018015365	DN 80	M10	115	144	20	20	2.50	M8	3,000
33074104	018015369		M10	124	153	20	25	2.50	M8	3,000
33074109	018015372		M10	129	158	25	25	2.50	M8	3,000
33074117	018015375	DN 100	M10	137	166	25	25	2.50	M8	3,000
33074129	018015377		M10	149	178	25	25	2.50	M8	3,000
33074137	018015379		M10	157	186	25	25	2.50	M8	3,000
33074145	018015380	DN 125	M10	165	194	25	25	2.50	M8	3,000
33074154	018015381		M10	176	207	30	30	3.00	M8	4,000
33074162	018015382		M10	184	215	30	30	3.00	M8	4,000
33074170	018015383	DN 150	M10	192	223	30	30	3.00	M8	4,000
33074178	018015384		M10	200	231	30	30	3.00	M8	4,000
33074186	018015385		M10	207	239	30	30	3.00	M8	4,000
33074195	018015386		M10	216	248	30	30	3.00	M8	4,000
33074203	018015387		M10	224	256	30	30	3.00	M8	4,000