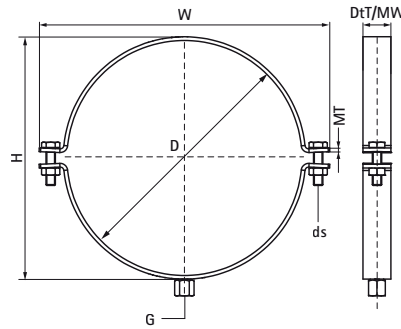


Walraven Clamp HD700 SSt A4 M16

(M0525)



Features & benefits

- two-part clamp with two locking bolts
- heavy design
- with CO₂ welded connection nut
- material: stainless steel 1.4404 (2B) - EN 10088, AISI 316L

Product Number	VVS Number	DN	Connection Thread	Total Height	Total Width	Total Depth	Material Width	Material Thickness	Screw Size	Maximum Allowed Load Faz
Reference letter		D	G	H	W	Dt	MW	MT	ds	F _{a,z}
Unit description				mm	mm	mm	mm	mm		N
33074318	018015397		M16	350	390	40	40	4.00	M12	8,000
33074329	018015399	DN 300	M16	362	402	40	40	4.00	M12	8,000
33074361	018015401	DN 350	M16	393	433	40	40	4.00	M12	8,000