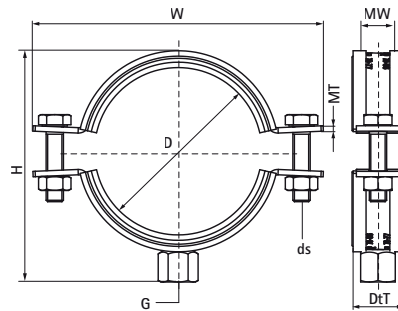


Walraven Clamp HD1701 SSt A4 EPDM M10

(M0530)



Features & benefits

- two-part clamp with two locking bolts
- heavy design
- with CO₂ welded connection nut
- material: stainless steel 1.4404 (2B) - EN 10088, AISI 316L
- noise insulating lining, EPDM rubber, black
- with sound insulating lining (acc. DIN 4109), age resistant, for temperatures -30 °C up to +110 °C

Product Number	VVS Number	DN	Connection Thread	Total Height	Total Width	Total Depth	Material Width	Material Thickness	Screw Size	Maximum Allowed Load Faz
Reference letter		D	G	H	W	DtT	MW	MT	ds	F _{a,z}
Unit description				mm	mm	mm	mm	mm		N
33174077	018015463	DN 65	M10	106	135	24	20	2.50	M8	1,250
33174086	018015464		M10	115	144	24	20	2.50	M8	1,250
33174095	018015465	DN 80	M10	125	153	24	20	2.50	M8	1,250
33174109	018015469		M10	139	166	31	25	2.50	M8	2,000
33174117	018015472	DN 100	M10	147	174	31	25	2.50	M8	2,000
33174129	018015475		M10	159	186	31	25	2.50	M8	2,000
33174137	018015477		M10	167	194	31	25	2.50	M8	2,000
33174145	018015479	DN 125	M10	177	204	31	25	2.50	M8	2,000
33174154	018015480		M10	185	215	36	30	3.00	M8	3,300
33174162	018015481		M10	193	223	36	30	3.00	M8	3,300
33174170	018015482	DN 150	M10	201	231	36	30	3.00	M8	3,300
33174178	018015483		M10	209	239	36	30	3.00	M8	3,300
33174186	018015484		M10	218	248	36	30	3.00	M8	3,300
33174195	018015485		M10	226	256	36	30	3.00	M8	3,300
33174203	018015486		M10	234	264	36	30	3.00	M8	3,300