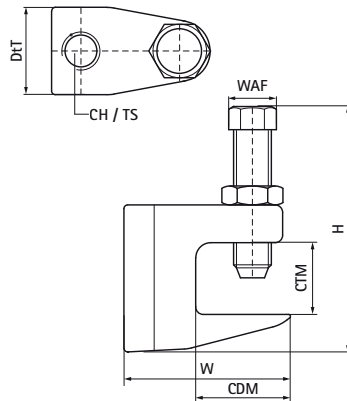


Walraven Stainless Steel Beam Clamp Model C

(M6405)

for clamping on beam flange



Features & benefits

- for a solid fixing to steel construction without the need for welding or drilling
- DIN 933 M10x40 set screw with cup point (CP) and DIN 439 hex nut
- set screw with cup point end to prevent sideways slipping off the I-Beam
- material: stainless steel A4 (1.4401 /AISI 316)



Product Number	Maximum Clamping Thickness	Maximum Clamping Depth	Total Height	Total Width	Total Depth	Connection Hole	Thread Size	Width Across Flats	Maximum Allowed Load Faz	Approvals
Reference letter	CTM	CDM	H	W	DtT	CH	TS	WAF	F _{a,z}	
Unit description	mm	mm	mm	mm	mm	mm		mm	N	
6007408	16	21.5	45	42	22	9	-	17	1,200	ITB (KOT)
6007410	16	21.5	45	42	22	11	-	17	1,800	ITB (KOT)
6007412	16	21.5	45	42	22	13	-	17	2,000	ITB (KOT)