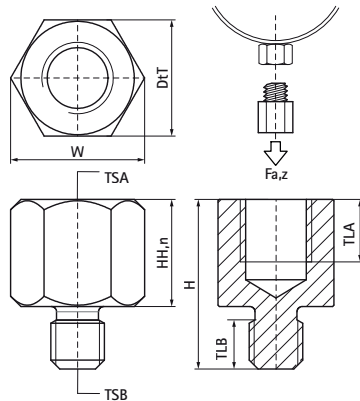


## Walraven Stainless Steel Thread Adaptor

(M9015)

adjustment of thread connection



### Features & benefits

- only tension loads recommended
- to enlarge or reduce the thread size in the connection of clamps, etc.
- material: stainless steel A4 (1.4401/ AISI 316)

Product Number	VVS Number	Thread Size A	Thread Length A	Thread Size B	Thread Length B	Nominal Head Height	Width Across Flats	Total Height	Total Width	Total Depth	Maximum Allowed Load Faz
Reference letter		TSA	TLA	TSB	TLB	HH,n	WAF	H	W	DcT	Fa,z
Unit description			mm		mm	mm	mm	mm	mm	mm	N
6477308	018039568	M8	7	M10	6	13	13	21	15	13	6,500
6477210	018039570	M10	9	M8	6	15	13	23	15	13	6,500
6477512		M12	10	M16	11	18	19	32	22	19	