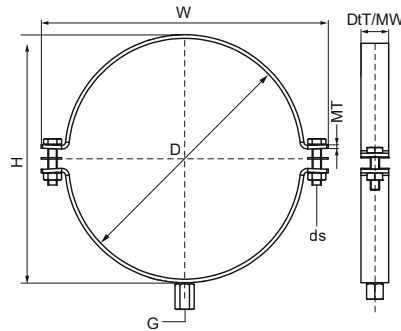


## Walraven HD300 (M10, M12, M16)

(B1050)



### Features & benefits

- two-part clamp with two locking bolts
- heavy design
- bolts secured with anti-loss washer
- material: steel
- zinc plated
- FM certified for sprinkler installations



Product Number	Outside Pipe Diameter	DN	Pipe Diameter Imperial	Connection Thread	Total Height	Total Width	Total Depth	Material Width	Material Thickness	Screw Size	Maximum Allowed Load Faz	Approvals
Reference Letter	D	D	D	G	H	W	DtT	MW	MT	ds	Fa,z	
Unit description	mm		"		mm	mm	mm	mm	mm		N	
330933110	110 - 116	DN 100	4	M10	140	171	30	30	3.00	M8	3,500	FM
330933140	140 - 148	DN 125	5	M12	168	218	40	40	4.00	M12	5,000	FM
330933169	167 - 173	DN 150	6	M12	193	244	40	40	4.00	M12	5,000	FM
330933219	219 - 225	DN 200	8	M16	248	296	40	40	4.00	M12	10,000	FM