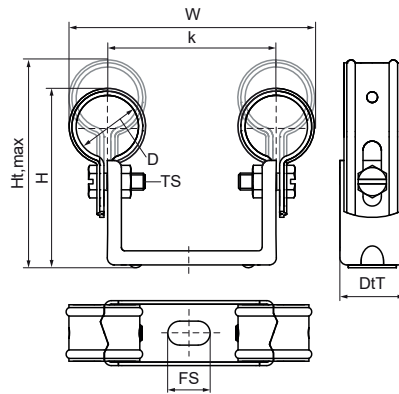


## Walraven Duplo Double Clamp

(B2005)

for heating pipes



### Features & benefits

- two clamps on connection bracket
- for fixing of two pipes
- space saving
- two parts of the clamp interlock
- bracket reinforced for extra strength
- tube insulation can easily be fitted
- adjustable distance between pipe and wall
- material: steel
- pre-galvanized

## EPD

Product Number	Outside Pipe Diameter	Total Height	Total Width	Total Depth	Maximum Height	Fixing Slot	Heart To Heart Distance	Thread Size	Max. Wall Distance Center Clamp	Min. Wall Distance Center Clamp	Maximum Allowed Load Faz	Maximum Allowed Load Fax
Reference Letter	D	H	W	DtT	Ht,max	FS	k	TS			Fa,z	Fa,x
Unit description	mm	mm	mm	mm	mm	mm	mm		mm	mm	N	N
3205015	15	57	81	23	72.25	15x8,5	60	M6	62	47	200	100
3205022	22	65	87	23	78.5	15x8,5	60	M6	65	51	200	100
3205028	28	69	93	23	84.25	15x8,5	60	M6	68	53	200	100
3205033	33.7	76	100	23	88.75	15x8,5	60	M6	69	56	200	100
3205043	42.5	92	148	20	103.75	15x8,5	100	M6	80	68	200	100