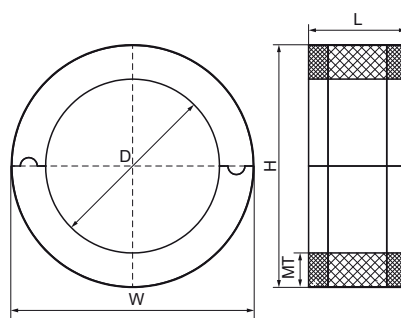


Walraven BISOFIX® E32

(D0338)

for insulated pipes



Features & benefits

- for combination with elastomeric foam insulation
- vapourproof glueable with pipe insulation
- does not contain CFC, HCFC, formaldehyde or cadmium
- fire class B2
- PIR density for $D < 80\text{mm}$ = 80kg/m^3
- PIR density for $D > 80\text{mm}$ = 120kg/m^3
- temperature range $-45\text{ }^\circ\text{C}$ - $+105\text{ }^\circ\text{C}$



Product Number	Outside Pipe Diameter	DN	Total Height	Total Width	Total Length	Material Thickness	Operating Temperature	Maximum Allowed Load Faz
Reference Letter	D	D	H	W	L	MT	CEL	F _{a,z}
Unit description	mm		mm	mm	mm	mm		N
I320000012	12		77	77	50	32.30	-45 - 105	100
I320000015	15		80	80	50	32.50	-45 - 105	100
I320000018	17.2 - 18	DN 10	83	83	50	32.30	-45 - 105	100
I320000022	21.3 - 22	DN 15	88	88	50	33.00	-45 - 105	100
I320000028	26.9 - 28	DN 20	100	100	50	36.00	-45 - 105	100
I320000035	33.7 - 35	DN 25	100	100	50	32.50	-45 - 105	100
I320000042	42.4	DN 32	108	108	50	32.80	-45 - 105	150
I320000048	48.3	DN 40	113	113	50	32.30	-45 - 105	225
I320000054	54		125	125	50	35.30	-45 - 105	225
I320000060	60.3	DN 50	125	125	50	32.30	-45 - 105	350
I320000064	64		152	152	50	44.00	-45 - 105	350
I320000070	70		152	152	50	41.00	-45 - 105	425
I320000076	76.1	DN 65	157	157	50	40.30	-45 - 105	575
I320000089	88.9	DN 80	176	176	50	43.55	-45 - 105	875
I320000102	101.6		192	192	50	45.20	-45 - 105	1,000
I320000108	108		192	192	50	42.00	-45 - 105	1,075
I320000114	114.3	DN 100	195	195	50	40.30	-45 - 105	1,250
I320000133	133		218	218	100	42.70	-45 - 105	1,475
I320000140	139.7	DN 125	220	220	100	40.30	-45 - 105	1,700
I320000160	159 - 160		241	241	100	40.50	-45 - 105	1,950
I320000168	168.3	DN 150	249	249	100	40.30	-45 - 105	2,125
I320000219	219.1	DN 200	315	315	100	48.00	-45 - 105	3,525
I320000273	273.1	DN 250	354	354	100	40.30	-45 - 105	4,925