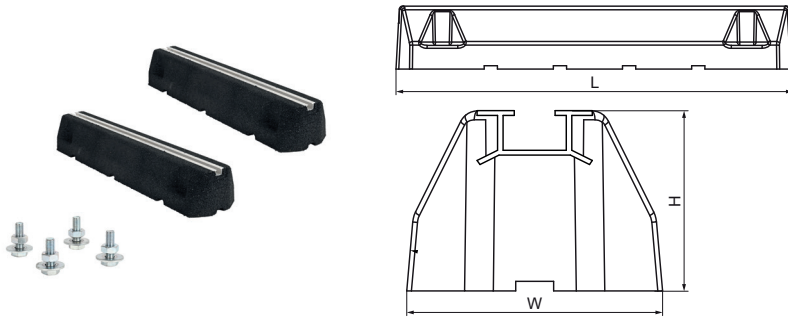


Walraven Rubberfoot Support System Kit (Aluminium Channel 20x15mm) (E2020)



Features & benefits

- assembled Kit ready to install to support small units like climate unit, heat pumps etc.
- kit contains 2 pieces of rubberfoot Type aluminium rail and 4 pieces of T-bolt assembly M8x40mm
- does not penetrate the waterproof membrane (at PVC roofs a separating layer must be installed to protect against plasticizer migration - see Walraven BIS Yeti® Triplex Separation Layer)
- material: vulcanized rubber, black; Rail 20x15mm made from aluminium
- For a detailed calculation and for support how to spread the load please contact Walraven Technical Support.
- In cases where a foot is used in roof applications, the installer is obliged to verify maximum load capacity of roof before installation
- $F_{a,z}$ = max. allowed load per 1 foot

Product Number	Total Width	Total Length	Total Height
Reference Letter	W	L	H
Unit description	mm	mm	mm
BX67677001	135	1,000	190
BX67677401	135	400	190
BX67677601	135	600	190