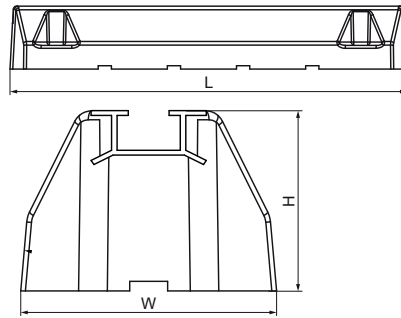


## Walraven Rubberfoot Support System (Aluminium Channel 20x15mm)

(E2025)



### Features & benefits

- for supporting small pipework systems, ductwork runs, cable trays and heat pumps
- to support climate installations, walkways on flat roofs, etc.
- does not penetrate the waterproof membrane (at PVC roofs a separating layer must be installed to protect against plasticizer migration - see Walraven BIS Yeti® Triplex Separation Layer)
- material: vulcanized rubber, black; Rail 20x15mm made from aluminium
- For a detailed calculation and for support how to spread the load please contact Walraven Technical Support.
- In cases where a foot is used in roof applications, the installer is obliged to verify maximum load capacity of roof before installation.

Product Number	Total Width	Total Length	Total Height
Reference Letter	W	L	H
Unit description	mm	mm	mm
BX67677000	135	1,000	95
BX67677400	135	400	95
BX67677600	135	600	95