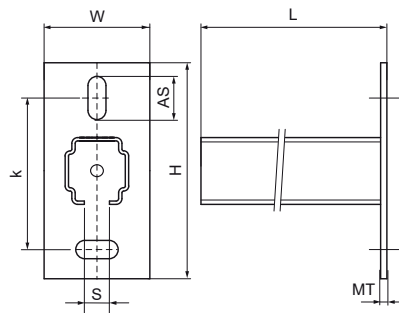


Walraven RapidRail® Cantilever Arm 38x40

(G1008)

fixing to wall, floor or ceiling



Features & benefits

- base plate with welded C-profile
- for quick and adjustable fixing of one or multiple pipes
- CO₂ welded
- with continuous perforation
- with sawing marks each 50 mm
- material: base plate made of steel 1.0332 (DD11)
- material: made of steel 1.0038 (S235JR)
- zinc plated
- for more information about the max. allowed load (Faz) please refer to the loading tables or our online datasheet "Technical Details Walraven RapidRail®"



Product Number	Type	Length	Total Height	Total Width	Total Length	Material Thickness	Anchoring Slot	Profile Opening	Heart To Heart Distance
Reference Letter		<i>l</i>	<i>H</i>	<i>W</i>	<i>L</i>	<i>MT</i>	<i>AS</i>	<i>S</i>	<i>k</i>
Unit description		mm	mm	mm	mm	mm	mm	mm	mm
66036805	38x40	1,050	130	48	1,050	5.00	25x11	15	90
66036820	38x40	200	130	48	200	5.00	25x11	15	90
66036825	38x40	250	130	48	250	5.00	25x11	15	90
66036835	38x40	350	130	48	350	5.00	25x11	15	90
66036840	38x40	400	130	48	400	5.00	25x11	15	90
66036850	38x40	500	130	48	500	5.00	25x11	15	90
66036860	38x40	600	130	48	600	5.00	25x11	15	90
66036875	38x40	750	130	48	750	5.00	25x11	15	90