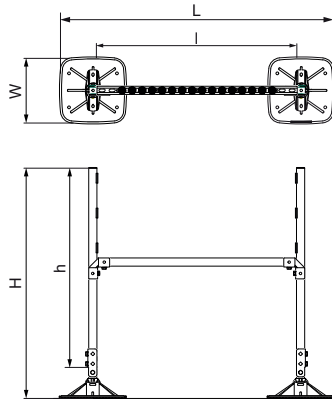


Walraven Yeti® 335 H-Set with Rail (BUP1000)

(I0411)

Set for quick installation of airduct channels on flat roofs



Features & benefits

- complete set for supporting installation appliances on flat and low pitched roofs
- for quick installation of air duct channels on the roof
- adjustable to compensate roof pitch and 360° rotatable insert for flexibility in positioning
- with non-slip anti-vibration mat
- predefined load capacity (see assembly instruction), calculation not necessary
- mouldings made of WPC, a composite of recycled plastic and wood fibre
- resistant to UV and chemical influences
- product is part of the Walraven UltraProtect® 1000 system
- suitable for in- and outdoor applications
- stands min. 1,000 hours salt spray test (max. 5% red rust) according to ISO 9227
- noise reduction according to DIN EN ISO 10140-1 and DIN EN ISO 10140-3 up to 31 dB(A)
- UV-resistance according to EN ISO 16474-3:2014-02 - certified by ITB
- The maximum recommended loads are calculated without accounting for wind and snow actions, which can vary significantly depending on local conditions. To ensure safety under typical circumstances, a global safety factor of 2 is applied.
- For project-specific calculations or site-specific conditions, please contact Walraven Technical Support for detailed assistance.

Product Number	Total Height	Total Width	Total Length	Height	Length	Maximum Allowed Load Faz
Reference Letter	H	W	L	h	l	F _{0,z}
Unit description	mm	mm	mm	mm	mm	N
67685310	1,050	335	1,295	1,000	1,000	2,000