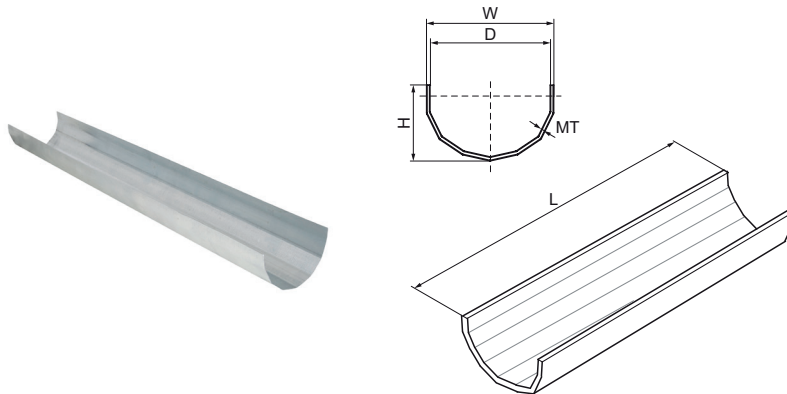


## Walraven Pipe Reinforcement Tangential Angular

(K3510)

support for plastic pipe



### Features & benefits

- self-gripping and continuous support for plastic pipes to prevent unsatisfactory deflections
- allows for longer distance between supports (fixing distance with reinforcement is 1.5 times longer than the distance without reinforcement)
- controls direction of pipe expansion. Maintains alignment of pipe, and prohibits "snaking"
- reinforcement fits inside insulation
- lightweight and economical, also 2 meter lengths are easy to handle
- eases handling and speeds installation of PEX tubing
- can be cut with hand tools
- material: steel 1.0226
- pre-galvanized

Product Number	Outside Pipe Diameter	Total Height	Total Width	Total Length	Material Thickness	Self Clamping?
Reference Letter	D	H	W	L	MT	
Unit description	mm	mm	mm	mm	mm	
06359220	20	15	20	2,000	0.50	Yes
06359225	25	18	25	2,000	0.50	Yes
06359232	32	20	32	2,000	0.50	Yes
06359240	40	26	38	2,000	0.50	Yes
06359250	50	31	48	2,000	0.50	Yes
06359263	63	35	59	2,000	0.50	Yes
06359275	75	41	69.5	2,000	0.50	Yes