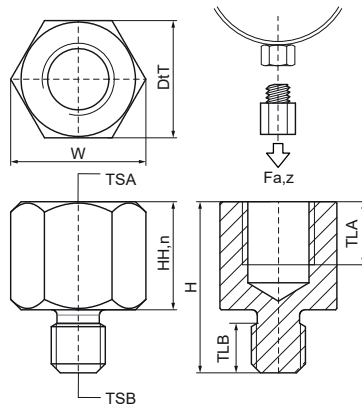


## Walraven Thread Adaptor (M/F)

(K5535)

adjustment of thread connection



### Features & benefits

- only tension loads recommended
- to enlarge or reduce the thread size in the connection of clamps, etc.
- material: steel
- zinc plated

Product Number	Thread Size A	Thread Length A	Thread Size B	Thread Length B	Nominal Head Height	Width Across Flats	Total Height	Total Width	Total Depth	Maximum Allowed Load Faz	
Reference Letter	TSA	TLA	TSB	TLB	HH,n	WAF	H	W	DtT	Fa,z	
Unit description	mm										
	mm				mm						
6473008	M8	7	M6	5.5	12	13	19	15	13	2,500	
6473108	M7x1.0	7	M8	5.5	14	13	21	15	13	4,800	
6473206	M6	7	M8	6	12	13	20	15	13	4,800	
6473207	M8	7	M7x1.5	8	12	13	22	15	13	2,500	
6473210	M10	9	M8	6	15	13	23	15	13	4,800	
6473212	M12	8	M8	6	15	17	23	20	17	4,800	
6473221	G½"	13	M8	8	22	27	30	31	27	4,800	
6473306	M6	7	M10	6	13	13	21	15	13	5,900	
6473308	M8	7	M10	6	13	13	21	15	13	5,900	
6473312	M12	8	M10	8	15	17	25	20	17	5,900	
6473316	M16	13	M10	8	22	24	32	28	24	5,900	
6473321	G½"	12	M10	8	21	27	31	31	31	5,900	
6473410	M10	8	M12	7.5	13	13	23	15	13	8,800	
6473416	M16	11	M12	8	22	24	32	28	24	8,800	
6473510	M10	9	M16	11	18	19	32	22	19	10,800	
6473512	M12	10	M16	11	18	19	32	22	22	19,900	
6473621	G¾"	17	G½"	14	20	27	35	30	30	12,700	
6473421	M10	9	G½"	13	11	27	26	31	27	10,800	
6473921	G1"	17	G½"	13	22	35	36	38	38	13,900	