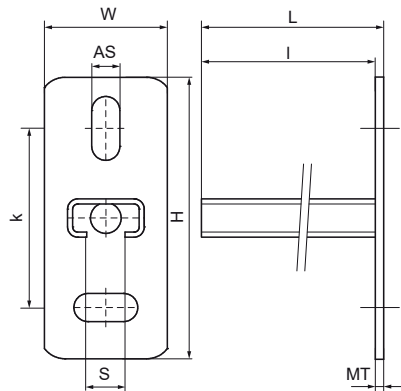


Walraven RapidRail® Stainless Steel Cantilever Arm

(M2505)

fixing to wall or ceiling



Features & benefits

- wall plate with welded C-profile
- slots at 90° to each other to simplify fixing
- CO₂ welded
- material: stainless steel 1.4404 (AISI 316L)
- for more information about the max. allowed load (Faz) please refer to the loading tables or our online datasheet 'Technical Details Walraven RapidRail®'
- Tested values in combination with Walraven RapidStrut® Rail 41x41x2.5mm.



Product Number	Type	Length	Total Height	Total Width	Total Length	Material Thickness	Anchoring Slot	Profile Opening	Heart To Heart Distance
<i>Reference Letter</i>		<i>l</i>	<i>H</i>	<i>W</i>	<i>L</i>	<i>MT</i>	<i>AS</i>	<i>S</i>	<i>k</i>
<i>Unit description</i>		<i>mm</i>	<i>mm</i>	<i>mm</i>	<i>mm</i>	<i>mm</i>	<i>mm</i>	<i>mm</i>	<i>mm</i>
6607120	30x15	200	110	48	205	5.00	25x11	15	70
6607230	30x30	300	110	48	305	5.00	25x11	15	70
6607250	30x30	500	110	48	505	5.00	25x11	15	70