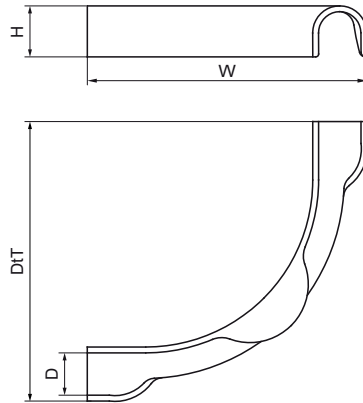


Walraven Bend Guider

(01020)

guiding of plastic floor pipe



Features & benefits

- to make 90° corners with plastic floorpipes
- pipe guidance corresponding prescribed bending radius 5xD
- smooth finish: pipe can be fixed without damage
- good grip due to special design
- material: glass-fibre reinforced PA (polyamide), black
- temperature resistance up to +140 °C

Product Number	Outside Pipe Diameter	Total Height	Total Width	Total Depth
Reference Letter	D	H	W	DtT
Unit description	mm	mm	mm	mm
0872018	14 - 18	110	25	110
0872023	20 - 23	150	30	150
0872029	25 - 29	180	40	180