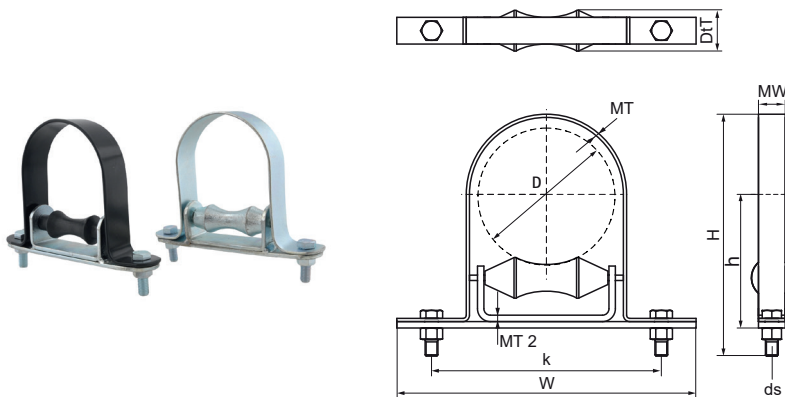


Walraven IH120 Roller Chair and Guide

(P0460)

for steel, copper and insulated pipes



Features & benefits

- Type IH120: standard finish: zinc plated
- Type IH147: standard finish: self colour (Base / Chair), nylon coated (Guide)

Product Number	Outside Pipe Diameter	Pipe Diameter Imperial	DN	Total Height	Total Width	Total Depth	Height	Material Width	Material Thickness	Material Thickness 2	Heart To Heart Distance	Thread Size	Screw Size
Reference Letter	D	D	D	H	W	DtT	h	MW	MT	MT 2	k	TS	ds
Unit description	mm	"		mm	mm	mm	mm	mm	mm	mm	mm		
B6113076	76	2½	DN 65	128	40	180	141	50	5.00	3	140	M16	M12
B6113089	89	3	DN 80	138	40	220	127	50	5.00	3	180	M16	M12
B6113114	114	4	DN 100	163	40	220	101	40	5.00	3	180	M12	M12
B6113140	140	5	DN 125	205	50	280	88	40	6.00	3	230	M12	M16
B6113168	168	6	DN 150	239	50	280	81	40	6.00	3	230	M12	M16
B6113219	219	8	DN 200	326	69	445	65	30	10.00	6	375	M10	M20
B6113273	273	10	DN 250	405	85	500	55	30	12.00	6	430	M10	M24
B6113323	323	12	DN 300	475	100	560	45	30	12.00	10	490	M10	M24
B6113034	34	1	DN 25	71	40	117	289	50	3.00	3	77	M24	M10
B6113048	48	1¼	DN 40	89	40	148	250	50	3.00	3	108	M24	M10
B6113060	60	2	DN 50	105	40	155	200	50	3.00	3	115	M20	M10