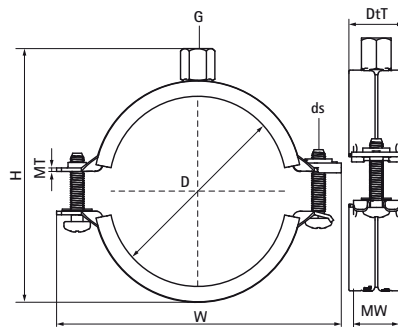


Walraven KSB2 Clamp (M8/M10)

(A05116)

for steel, copper, cast iron and plastic (multilayer) pipe



Features & benefits

- two-screw clamp
- quick closing mechanism for easy locking of the clamp with one hand
- full range from 10 to 225 mm
- tested for fire safety
- material: steel
- zinc plated
- temperature resistance from -30 °C to +120 °C
- sound insulating lining according DIN 4109
- noise reduction according to ISO 3822-1 up to 21 dB(A)



Product Number	DN	Pipe Diameter Imperial	Connection Thread	Total Height	Total Width	Total Depth	Material Width	Material Thickness	Screw Size	Maximum Allowed Load Faz	Approvals
Reference letter	D	D	G	H	W	DtT	MW	MT	ds	F _{0,z}	
Unit description	"			mm	mm	mm	mm	mm		N	
3396014	DN 8	1/4	M8/M10	42	59	25	20	1.25	M6	495	CE, ETA, RAL-GZ 655/B, ITB (KOT), EPD, EN1363-1
3396019	DN 10	3/8	M8/M10	46	63	25	20	1.25	M6	495	CE, ETA, RAL-GZ 655/B, ITB (KOT), EPD, EN1363-1
3396023	DN 15	1/2	M8/M10	51	68	25	20	1.25	M6	495	CE, ETA, RAL-GZ 655/B, ITB (KOT), EPD, EN1363-1
3396028	DN 20	3/4	M8/M10	57	74	25	20	1.25	M6	495	CE, ETA, RAL-GZ 655/B, ITB (KOT), EPD, EN1363-1
3396035	DN 25	1	M8/M10	63	80	25	20	1.25	M6	495	CE, ETA, RAL-GZ 655/B, ITB (KOT), EPD, EN1363-1
3396039	-	-	M8/M10	67	84	25	20	1.25	M6	495	CE, ETA, RAL-GZ 655/B, ITB (KOT), EPD, EN1363-1
3396045	DN 32	1 1/4	M8/M10	74	91	25	20	1.25	M6	495	CE, ETA, RAL-GZ 655/B, ITB (KOT), EPD, EN1363-1
3396052	DN 40	1 1/2	M8/M10	80	97	25	20	1.25	M6	495	CE, ETA, RAL-GZ 655/B, ITB (KOT), EPD, EN1363-1
3396058	-	-	M8/M10	87	104	25	20	1.25	M6	495	CE, ETA, RAL-GZ 655/B, ITB (KOT), EPD, EN1363-1
3396064	DN 50	2	M8/M10	92	109	25	20	1.25	M6	495	CE, ETA, RAL-GZ 655/B, ITB (KOT), EPD, EN1363-1
3396070	-	-	M8/M10	100	118	25	20	1.50	M6	560	CE, ETA, RAL-GZ 655/B, ITB (KOT), EPD, EN1363-1
3396079	DN 65	2 1/2	M8/M10	108	125	25	20	1.50	M6	560	CE, ETA, RAL-GZ 655/B, ITB (KOT), EPD, EN1363-1
3396083	-	-	M8/M10	114	132	25	20	1.50	M6	560	CE, ETA, RAL-GZ 655/B, ITB (KOT), EPD, EN1363-1
3396091	DN 80	3	M8/M10	123	142	28	23	2.00	M6	1,055	CE, ETA, RAL-GZ 655/B, ITB (KOT), EPD, EN1363-1
3396105	-	-	M8/M10	137	155	28	23	2.00	M6	1,055	CE, ETA, RAL-GZ 655/B, ITB (KOT), EPD, EN1363-1
3396115	DN 100	4	M8/M10	145	164	28	23	2.00	M6	1,055	CE, ETA, RAL-GZ 655/B, ITB (KOT), EPD, EN1363-1
3396130	-	-	M8/M10	162	181	28	23	2.00	M6	1,055	CE, ETA, RAL-GZ 655/B, ITB (KOT), EPD, EN1363-1
3396140	DN 125	5	M8/M10	173	191	28	23	2.00	M6	1,055	CE, ETA, RAL-GZ 655/B, ITB (KOT), EPD, EN1363-1
3396160	-	-	M8/M10	193	211	28	23	2.00	M6	1,055	CE, ETA, RAL-GZ 655/B, ITB (KOT), EPD, EN1363-1
3396169	DN 150	6	M8/M10	203	225	29	25	2.50	M8	2,250	CE, ETA, RAL-GZ 655/B, ITB (KOT), EPD
3396180	-	-	M8/M10	216	238	29	25	2.50	M8	2,250	CE, ETA, RAL-GZ 655/B, ITB (KOT), EPD

Walraven KSB2 Clamp (M8/M10)

(A05116)

for steel, copper, cast iron and plastic (multilayer) pipe

Product Number	DN	Pipe Diameter Imperial	Connection Thread	Total Height	Total Width	Total Depth	Material Width	Material Thickness	Screw Size	Maximum Allowed Load Faz	Approvals
Reference letter	<i>D</i>	<i>D</i>	<i>G</i>	<i>H</i>	<i>W</i>	<i>DiT</i>	<i>MW</i>	<i>MT</i>	<i>ds</i>	<i>Fa,z</i>	
Unit description		"		mm	mm	mm	mm	mm		N	
3396200	-	-	M8/M10	235	257	29	25	2.50	M8	2,250	CE, ETA, RAL-GZ 655/B, ITB (KOT), EPD
3396210	-	-	M8/M10	247	269	29	25	2.50	M8	2,250	CE, ETA, RAL-GZ 655/B, ITB (KOT), EPD
3396225	DN 200	8	M8/M10	261	283	29	25	2.50	M8	2,250	CE, ETA, RAL-GZ 655/B, ITB (KOT), EPD