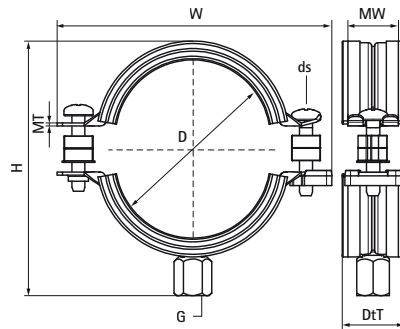
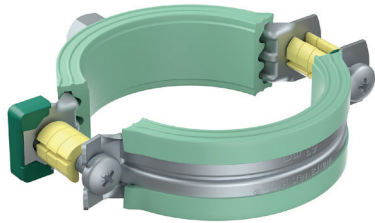


Walraven Bifix® 5000 G2 (BUP1000) (M8/M10)

(A2509)

for plastic pipes



Features & benefits

- two-screw clamp
- with quick locking system
- with removable spacer washers, making the clamp suitable for either sliding or anchoring
- material: steel
- product is part of the Walraven BIS UltraProtect® 1000 system
- suitable for in- and outdoor applications
- stands min. 1,000 hours salt spray test (max. 5% red rust) according to ISO 9227
- sound insulating lining according DIN 4109

EPD

| Product Number | Connection Thread | Total Height | Total Width | Total Depth | Material Width | Material Thickness | Screw Size | Maximum Allowed Load Faz | Approvals |
|------------------|-------------------|--------------|-------------|-------------|----------------|--------------------|------------|--------------------------|-----------|
| Reference letter | G | H | W | DtT | MW | MT | ds | F _{0,z} | |
| Unit description | | mm | mm | mm | mm | mm | | N | |
| 3188016 | M8/M10 | 56 | 63 | 25 | 20 | 1.25 | M6 | 600 | EPD |
| 3188020 | M8/M10 | 61 | 68 | 25 | 20 | 1.25 | M6 | 600 | EPD |
| 3188025 | M8/M10 | 67 | 74 | 25 | 20 | 1.25 | M6 | 600 | EPD |
| 3188032 | M8/M10 | 76 | 84 | 25 | 20 | 1.25 | M6 | 600 | EPD |
| 3188040 | M8/M10 | 81 | 91 | 25 | 20 | 1.25 | M6 | 600 | EPD |
| 3188050 | M8/M10 | 94 | 97 | 25 | 20 | 1.25 | M6 | 600 | EPD |
| 3188056 | M8/M10 | 99 | 104 | 25 | 20 | 1.25 | M6 | 600 | EPD |
| 3188063 | M8/M10 | 106 | 109 | 25 | 20 | 1.25 | M6 | 600 | EPD |
| 3188075 | M8/M10 | 118 | 125 | 25 | 20 | 1.50 | M6 | 600 | EPD |
| 3188090 | M8/M10 | 135 | 142 | 28 | 23 | 2.00 | M6 | 1,400 | EPD |
| 3188110 | M8/M10 | 153 | 164 | 28 | 23 | 2.00 | M6 | 1,400 | EPD |
| 3188125 | M8/M10 | 159 | 181 | 28 | 23 | 2.00 | M6 | 1,400 | EPD |
| 3188135 | M8/M10 | 179 | 191 | 28 | 23 | 2.00 | M6 | 1,400 | EPD |
| 3188160 | M8/M10 | 210 | 225 | 30 | 25 | 2.50 | M8 | 1,700 | EPD |
| 3188058 | M8/M10 | 106 | 109 | 25 | 20 | 1.25 | M6 | 600 | EPD |
| 3188078 | M8/M10 | 120 | 131 | 25 | 20 | 1.50 | M6 | 600 | EPD |
| 3188200 | M10 | 246 | 269 | 30 | 25 | 2.50 | M8 | 1,700 | EPD |