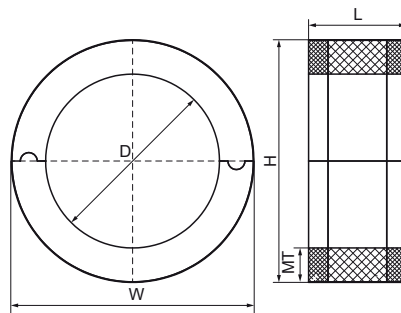


Walraven BISOFIX® E13

(D0302)

for insulated pipes



Features & benefits

- for combination with elastomeric foam insulation
- vapourproof glueable with pipe insulation
- does not contain CFC, HCFC, formaldehyde or cadmium
- fire class B2
- PIR density for $D < 80\text{mm} = 80\text{kg/m}^3$
- PIR density for $D > 80\text{mm} = 120\text{kg/m}^3$
- temperature range $-45\text{ °C} - +105\text{ °C}$



Product Number	DN	Total Height	Total Width	Total Length	Material Thickness	Maximum Allowed Load Faz
Reference letter	D	H	W	L	MT	Fa,z
Unit description		mm	mm	mm	mm	N
I13000008		35	35	50	13.30	100
I13000010		37	37	50	13.30	100
I13000012		39	39	50	13.30	100
I13000015		42	42	50	13.30	100
I13000018	DN 10	45	45	50	13.30	100
I13000022	DN 15	49	49	50	13.30	100
I13000028	DN 20	55	55	50	13.30	100
I13000035	DN 25	62	62	50	13.30	100
I13000042	DN 32	69	69	50	13.30	150
I13000048	DN 40	75	75	50	13.30	225
I13000054		81	81	50	13.30	225
I13000057		84	84	50	13.30	350
I13000060	DN 50	88	88	50	13.90	350
I13000064		100	100	50	18.00	350
I13000070		103	103	50	16.30	425
I13000076	DN 65	109	109	50	16.30	575
I13000089	DN 80	125	125	50	17.90	875
I13000102		134	134	50	16.30	1,000
I13000108		141	141	50	16.30	1,075
I13000114	DN 100	152	152	50	18.90	1,250
I13000133		166	166	100	16.30	1,475
I13000140	DN 125	176	176	100	18.20	1,700
I13000160		193	193	100	16.30	1,950
I13000168	DN 150	201	201	100	16.30	2,125