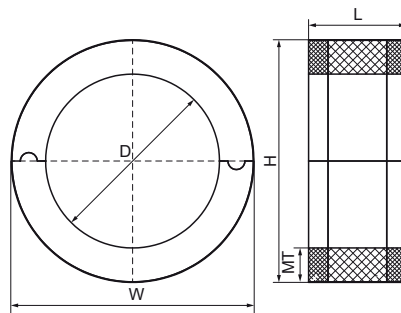


Walraven BISOFIX® E25

(D0326)

for insulated pipes



Features & benefits

- for combination with elastomeric foam insulation
- vapourproof glueable with pipe insulation
- does not contain CFC, HCFC, formaldehyde or cadmium
- fire class B2
- PIR density for $D < 80\text{mm} = 80\text{kg/m}^3$
- PIR density for $D > 80\text{mm} = 120\text{kg/m}^3$
- temperature range $-45\text{ °C} - +105\text{ °C}$



Product Number	DN	Total Height	Total Width	Total Length	Material Thickness	Maximum Allowed Load Faz
Reference letter	D	H	W	L	MT	F _{a,z}
Unit description		mm	mm	mm	mm	N
I25000012		63	63	50	25.30	100
I25000015		66	66	50	25.30	100
I25000018	DN 10	69	69	50	25.30	100
I25000022	DN 15	75	75	50	26.70	100
I25000028	DN 20	79	79	50	25.30	100
I25000035	DN 25	88	88	50	26.50	100
I25000042	DN 32	100	100	50	28.80	150
I25000048	DN 40	100	100	50	25.90	225
I25000054		105	105	50	25.30	225
I25000057		108	108	50	25.30	225
I25000060	DN 50	111	111	50	25.30	350
I25000064		129	129	50	32.30	350
I25000070		135	135	50	32.30	425
I25000076	DN 65	141	141	50	32.30	575
I25000089	DN 80	154	154	50	32.30	875
I25000102		166	166	50	32.30	1,000
I25000108		176	176	50	34.00	1,075
I25000114	DN 100	179	179	50	32.30	1,250
I25000133		198	198	100	32.30	1,475
I25000140	DN 125	205	205	100	32.70	1,700
I25000160		225	225	100	32.30	1,950
I25000168	DN 150	233	233	100	32.30	2,125
I25000219	DN 200	284	284	100	32.30	3,525
I25000356		421	421	100	32.00	