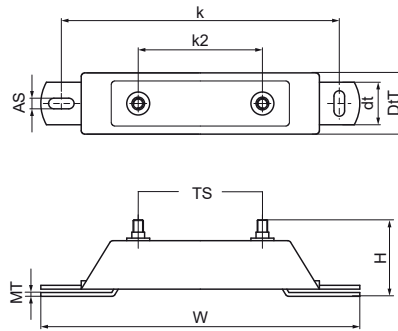


Walraven dB-FiX® 200 Fixing Point Assembly

(E0525)

for noise insulation fixing point



Features & benefits

- noise insulating fixing point for pipes up to Ø 8" (clamp Walraven HD500 Ø 217 - 227 mm)
- very stable
- material: steel
- zinc plated
- noise insulation by moulded EPDM rubber
- sound insulating lining according DIN 4109



Product Number	Total Height	Total Width	Total Depth	Depth	Anchoring Slot	Heart To Heart Distance	Heart To Heart Distance 2	Material Thickness	Thread Size	Maximum Allowed Load Faz	Maximum Allowed Load Fay
Reference letter	H	W	DtT	Dt	AS	k	k 2	MT	TS	Fa,z	Fa,y
Unit description	mm	mm	mm	mm	mm	mm	mm	mm		N	N
6693020	100	375	65	50	30x12.5	325	145.5	4.00	M12	7,000	6,600