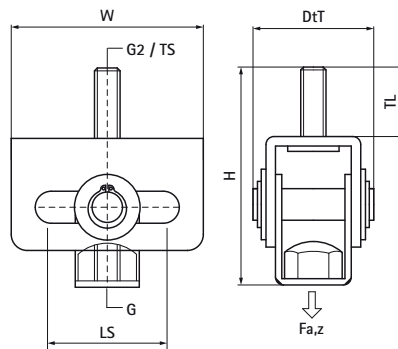


Walraven Expansion Joint

(E1015)

fixing with sliding assemblies



Features & benefits

- for accommodation of pipe thermal expansion or contraction
- low space requirement, can only be used for ceiling mounting (hanging)
- economical solution when low expansion
- compatible with all Walraven rail systems
- material: steel
- zinc plated

Product Number	Connection Thread	Connection Thread 2	Total Height	Total Width	Total Depth	Slide Distance	Thread Length	Thread Size	Maximum Allowed Load $F_{a,z}$
Reference letter	G	G2	H	W	DtT	Ls	TL	TS	$F_{a,z}$
Unit description			mm	mm	mm	mm	mm		N
6653310	M8/M10	M10	69	60	40	35	21	M10	1,500