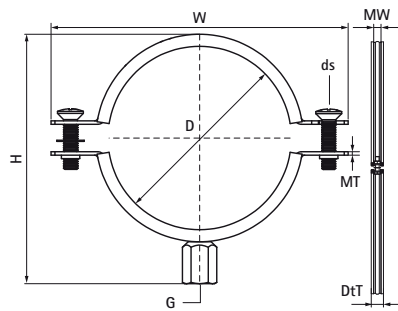


## Walraven Spiral Duct Clamp with Lining

(F05061)

for spiral ventilation ducts



### Features & benefits

- two-screw clamp
- with quick lock
- material: steel
- zinc plated
- sound insulating lining according DIN 4109
- sound insulating lining of aging resistant EPDM rubber, black

| Product Number   | Connection Thread | Total Height | Total Width | Total Depth | Material Width | Material Thickness | Screw Size | Maximum Allowed Load Faz |
|------------------|-------------------|--------------|-------------|-------------|----------------|--------------------|------------|--------------------------|
| Reference letter | G                 | H            | W           | DtT         | MW             | MT                 | ds         | F <sub>0,z</sub>         |
| Unit description |                   | mm           | mm          | mm          | mm             | mm                 |            | N                        |
| N4103080         | M8/M10            | 109          | 126         | 23          | 20             | 1.50               | M6         | 500                      |
| N4103100         | M8/M10            | 129          | 147         | 23          | 20             | 1.50               | M6         | 500                      |
| N4103112         | M8/M10            | 148          | 142         | 23          | 20             | 1.50               | M6         | 500                      |
| N4103125         | M8/M10            | 154          | 129         | 23          | 20             | 1.50               | M6         | 500                      |
| N4103140         | M8/M10            | 169          | 144         | 23          | 20             | 1.50               | M6         | 500                      |
| N4103150         | M8/M10            | 179          | 154         | 23          | 20             | 1.50               | M6         | 500                      |
| N4103160         | M8/M10            | 189          | 164         | 23          | 20             | 1.50               | M6         | 500                      |
| N4103180         | M8/M10            | 209          | 184         | 23          | 20             | 1.50               | M6         | 500                      |
| N4103200         | M8/M10            | 229          | 204         | 23          | 20             | 1.50               | M6         | 500                      |
| N4103225         | M8/M10            | 253          | 228         | 23          | 20             | 1.50               | M6         | 500                      |
| N4103250         | M8/M10            | 279          | 254         | 23          | 20             | 1.50               | M6         | 500                      |
| N4103280         | M8/M10            | 309          | 285         | 23          | 20             | 1.50               | M6         | 500                      |
| N4103300         | M8/M10            | 329          | 305         | 23          | 20             | 1.50               | M6         | 500                      |
| N4103315         | M8/M10            | 344          | 320         | 23          | 20             | 1.50               | M6         | 500                      |
| N4103355         | M8/M10            | 384          | 360         | 23          | 20             | 1.50               | M6         | 500                      |
| N4103400         | M8/M10            | 429          | 405         | 23          | 20             | 1.50               | M6         | 500                      |
| N4103450         | M8/M10            | 483          | 455         | 29          | 25             | 2.00               | M6         | 1,100                    |
| N4103500         | M8/M10            | 532          | 505         | 29          | 25             | 2.00               | M6         | 1,100                    |
| N4103560         | M8/M10            | 591          | 565         | 29          | 25             | 2.50               | M10        | 1,300                    |
| N4103600         | M8/M10            | 631          | 605         | 29          | 25             | 2.50               | M10        | 1,300                    |
| N4103630         | M8/M10            | 664          | 636         | 29          | 25             | 2.50               | M10        | 1,300                    |