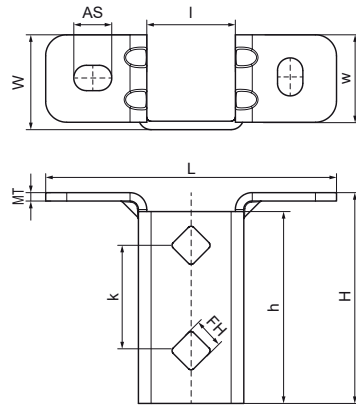


Walraven RapidStrut® T-shape Base Plate (BUP1000)

(H1212)

light base foot to connect fixing rails



Features & benefits

- highly flexible base plate for Walraven RapidStrut® rails
- open side of the rail can be turned to all sides
- extra safety by reinforced bending
- hole pattern is adapted to the hole pattern of Walraven RapidStrut® rails
- material: steel 1.0242 (S250GD) + ZM310 MAC
- product is part of the Walraven UltraProtect® 1000 system
- suitable for in- and outdoor applications
- stands min. 1,000 hours salt spray test (max. 5% red rust) according to ISO 9227

Product Number	For Rail Type	Total Height	Total Width	Total Length	Width	Height	Length	Heart To Heart Distance	Anchoring Slot	Fixing Hole	Material Thickness	Material Thickness 2	Maximum Allowed Load Faz
Reference letter		H	W	L	w	h	l	k	AS	FH	MT	MT 2	F _{0,z}
Unit description		mm	mm	mm	mm	mm	mm	mm	mm	mm	mm	mm	N
66588361	41x21, 41x41, 41x51, 41x62, 41x82	100	45	138	415	91	42	50	18x12	13.8	4.00	0	3,636