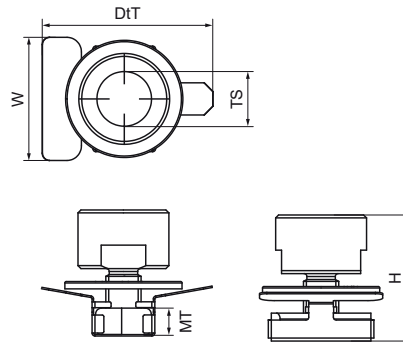


## Walraven Maxx Clamp Adaptor Set

(H20524)

for connecting clamps to Maxx Heavy Rail Profiles



### Features & benefits

- patented slide nut pre-assembled with a big washer and a thread adaptor to connect Walraven Heavy Duty Clamps M16 or 1/2" to Walraven Maxx Heavy Rail Profiles
- advised to be used in combination with Walraven Heavy Duty Clamps HD1501 (M16, 1/2")
- material: slide nut made of steel 1.0332; adaptor made of steel 1.0718; aid tray made of stainless steel 1.4301
- slide nut: hot dip galvanized; washer and adaptor are part of the Walraven BIS UltraProtect® 1000 system

Product Number	For Rail Type	Thread Size	Material Thickness	Maximum Allowed Load Fax	Maximum Allowed Load Faz	Total Height	Total Width	Total Depth
<i>Reference letter</i>		<i>TS</i>	<i>MT</i>	<i>F<sub>a,x</sub></i>	<i>F<sub>a,z</sub></i>	<i>H</i>	<i>W</i>	<i>D<sub>IT</sub></i>
<i>Unit description</i>			<i>mm</i>	<i>N</i>	<i>N</i>	<i>mm</i>	<i>mm</i>	<i>mm</i>
651867116	80x80, 100x100, 100x120, 100x150	M16	9.00	2,100	11,400	43	42	58
651867121	80x80, 100x100, 100x120, 100x150	G1/2"	9.00	2,100	11,400	43	40	58