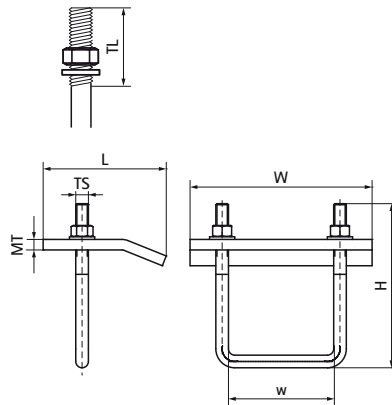
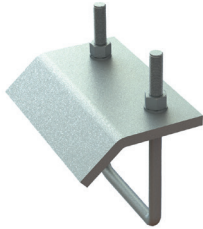


Walraven Maxx Beam Clamp

(H20546)

for fixing profiles to beams



Features & benefits

- for a solid fixing to steel construction without the need for welding or drilling
- always use 2 beam clamps per fixing
- material: steel S235JR
- hot dip galvanized

Product Number	For Rail Type	Total Height	Total Width	Total Length	Thread Size	Thread Length	Width	Material Thickness	Maximum Allowed Load Faz	Torque Moment For Installation
Reference letter		H	W	L	TS	TL	w	MT	F _{a,z}	T _{inst.}
Unit description		mm	mm	mm		mm	mm	mm	N	Nm
6589110	100x100, 100x120	190	173	117	M12	70	101	10.00	12,400	40
6589115	100x150	220	173	117	M12	80	101	10.00	12,400	40
6589109	80x80	162	135	107	M12	74	82	10.00	11,200	40