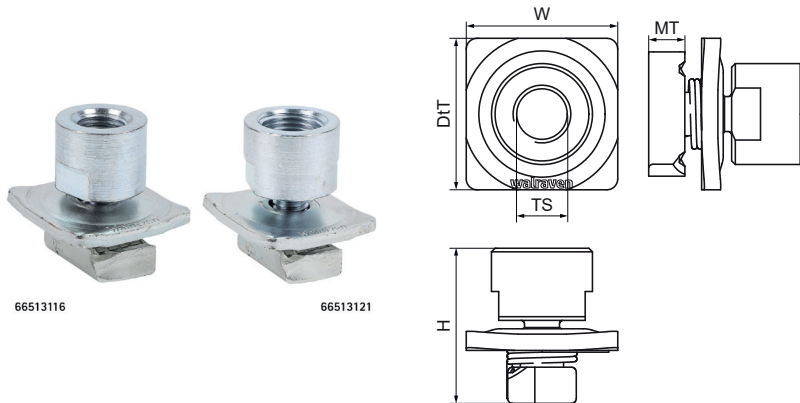


Walraven RapidStrut® Slide Nut with Adapter MS (ZP)

(H2412)

for quick connection of clamps and threaded rods



Features & benefits

- slide nut with adapter, washer and metal spring
- to connect clamps with M16 or 1/2" nut to Walraven RapidStrut® rails
- ready-to-use pre-assembled for a quick fixing, and retains assembly in place before final tightening
- solid washer for strong connection
- robust since completely made from metal
- material: base component: steel 1.0332; stud connector: steel 1.0718 (11SMnPb30)
- base component: zinc plated ISO 2081-Fe/Zn5/A (EN ISO 2081:2008); stud connector: zinc plated Fe/Zn8/An/TO (EN-ISO 19598)
- Tested values in combination with Walraven RapidStrut® Rail 41x41x2.5mm.

Product Number	For Rail Type	Thread Size	Material Thickness	Torque Moment For Installation	Maximum Allowed Load Fax	Maximum Allowed Load Faz	Total Height	Total Width	Total Depth
<i>Reference letter</i>		<i>TS</i>	<i>MT</i>	<i>T inst.</i>	<i>Fa,x</i>	<i>Fa,z</i>	<i>H</i>	<i>W</i>	<i>DtT</i>
<i>Unit description</i>			<i>mm</i>	<i>Nm</i>	<i>N</i>	<i>N</i>	<i>mm</i>	<i>mm</i>	<i>mm</i>
66513116	41x21, 41x41, 41x51, 41x62, 41x82	M16	10.00	40	2,790	5,000	43	42	42
66513121	41x21, 41x41, 41x51, 41x62, 41x82	G1/2"	10.00	40	2,790	5,000	43	42	42