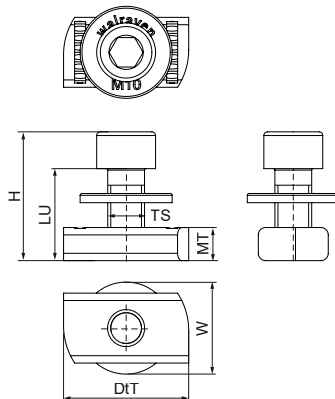


Walraven Strut Bolt Set Socked Head

(H2472)



Features & benefits

- channel slide nut with bolt DIN912 and washer
- ready to use set for connecting brackets and other accessories to RapidStrut channels
- pre-assembled to save time at installation, no need to organize single fastener parts
- material: steel
- product is part of the Walraven UltraProtect® 1000 system
- suitable for in- and outdoor applications
- stands min. 1,000 hours salt spray test (max. 5% red rust) according to ISO 9227
- tested load values in combination with Walraven RapidStrut® Rail 41x41x2.5mm.

Product Number	For Rail Type	Thread Size	Thread Length	Usable Length	Material Thickness	Torque Moment For Installation	Maximum Allowed Load Fax	Maximum Allowed Load Faz	Total Height	Total Width	Total Depth
Reference letter		TS	TL	LU	MT	T inst.	F _{a,x}	F _{a,z}	H	W	DtT
Unit description			mm	mm	mm	Nm	N	N	mm	mm	mm
613581002	41x21, 41x41, 41x51, 41x62, 41x82	M10	25	25	9.00	40	2,550	5,000	35	25	34