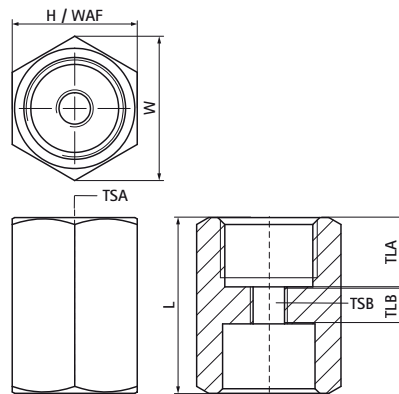


## Walraven Hexagon Thread Adaptor

(K5531)

adjustment of thread connection



### Features & benefits

- easy installation, even with a hexagon nut, which is fully covered by the adaptor
- the smart design prevents conflicts between threaded rod and 1/2" threaded tube
- time reduced installation in combination with 1/2" threaded tubes and clamps
- max. tightening torque defined by the used anchoring product
- material: steel
- zinc plated

Product Number	Thread Gender A	Thread Size A	Thread Length A	Thread Gender B	Thread Size B	Thread Length B	Width Across Flats	Total Height	Total Width	Total Length	Maximum Allowed Load Faz
Reference letter	TGA	TSA	TLA	TGB	TSB	TLB	WAF	H	W	L	F <sub>o,z</sub>
Unit description	mm			mm			mm	mm	mm	mm	N
64599838	Female thread	G1/2"	13	Female thread	M8	8	27	27	31	38	5,600
64599938	Female thread	G1/2"	13	Female thread	M10	8	27	27	31	38	12,500