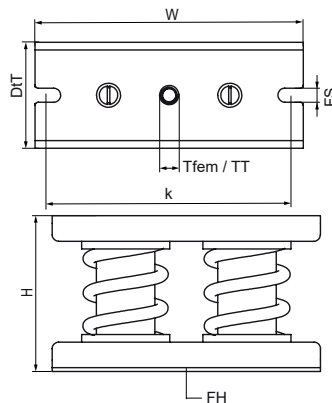


## Walraven VibraTek® MS-2X Spring Mount

(L20512)

high performance spring isolator for heavy equipment



### Features & benefits

- recommended for machinery with low working speeds above 600 rpm
- flexible internal filler prevents debris and solid elements entering and damaging the spring under load
- ribs in the metal base provide increased stiffness
- slot holes facilitate positioning and anchoring to the base material
- epoxy powder-coated base, caps and springs provide increased resistance to corrosion
- ratio  $K_x / K_z = 0.98$ ; ratio  $K_y / K_z = 1.4$
- working temperature range  $-90^{\circ}\text{C}$  till  $150^{\circ}\text{C}$

Product Number	Female Thread	Thread Type	Total Height	Total Width	Total Depth	Fixing Slot	Heart To Heart Distance	Fixing Hole	Recommended Minimum Load Faz	Recommended Maximum Load Faz	Maximum Static Deflection
Reference letter	Tfem	TT	H	W	DtT	FS	k	FH			
Unit description			mm	mm	mm	mm	mm	mm	N	N	mm
2802003000	M12	Metric	122	210	83	20x11	181	14.5	600	2,760	25
2802004000	M12	Metric	122	210	83	20x11	181	14.5	800	3,680	25
2802006000	M12	Metric	122	210	83	20x11	181	14.5	1,200	5,520	25
2802008000	M12	Metric	122	210	83	20x11	181	14.5	1,600	7,360	25
2802010000	M12	Metric	122	210	83	20x11	181	14.5	2,000	9,200	25
2802012000	M12	Metric	122	210	83	20x11	181	14.5	2,400	11,040	25