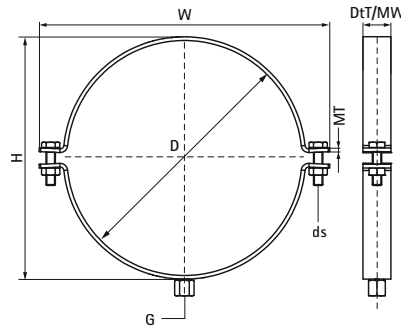


Walraven Clamp HD700 SSt A4 M12

(M0520)



Features & benefits

- two-part clamp with two locking bolts
- heavy design
- with CO₂ welded connection nut
- material: stainless steel 1.4404 (2B) - EN 10088, AISI 316L

Product Number	DN	Connection Thread	Total Height	Total Width	Total Depth	Material Width	Material Thickness	Screw Size	Maximum Allowed Load Faz
Reference letter	D	G	H	W	DeT	MW	MT	ds	Fa,z
Unit description			mm	mm	mm	mm	mm		N
33074227	DN 200	M12	253	287	30	30	4.00	M10	6,000
33074252		M12	278	312	30	30	4.00	M10	6,000
33074268		M12	294	328	30	30	4.00	M10	6,000
33074277	DN 250	M12	303	337	30	30	4.00	M10	6,000
33074285		M12	311	345	30	30	4.00	M10	6,000