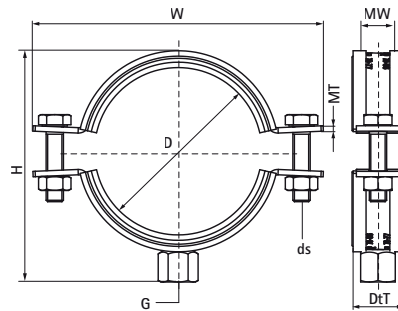


Walraven Clamp HD1701 SSt A4 EPDM M10

(M0530)



Features & benefits

- two-part clamp with two locking bolts
- heavy design
- with CO₂ welded connection nut
- material: stainless steel 1.4404 (2B) - EN 10088, AISI 316L
- noise insulating lining, EPDM rubber, black
- with sound insulating lining (acc. DIN 4109), age resistant, for temperatures -30 °C up to +110 °C

| Product Number | DN | Connection Thread | Total Height | Total Width | Total Depth | Material Width | Material Thickness | Screw Size | Maximum Allowed Load Faz |
|------------------|--------|-------------------|--------------|-------------|-------------|----------------|--------------------|------------|--------------------------|
| Reference letter | D | G | H | W | DtT | MW | MT | ds | F _{0,z} |
| Unit description | | | mm | mm | mm | mm | mm | | N |
| 33174077 | DN 65 | M10 | 106 | 135 | 24 | 20 | 2.50 | M8 | 1,250 |
| 33174086 | | M10 | 115 | 144 | 24 | 20 | 2.50 | M8 | 1,250 |
| 33174095 | DN 80 | M10 | 125 | 153 | 24 | 20 | 2.50 | M8 | 1,250 |
| 33174109 | | M10 | 139 | 166 | 31 | 25 | 2.50 | M8 | 2,000 |
| 33174117 | DN 100 | M10 | 147 | 174 | 31 | 25 | 2.50 | M8 | 2,000 |
| 33174129 | | M10 | 159 | 186 | 31 | 25 | 2.50 | M8 | 2,000 |
| 33174137 | | M10 | 167 | 194 | 31 | 25 | 2.50 | M8 | 2,000 |
| 33174145 | DN 125 | M10 | 177 | 204 | 31 | 25 | 2.50 | M8 | 2,000 |
| 33174154 | | M10 | 185 | 215 | 36 | 30 | 3.00 | M8 | 3,300 |
| 33174162 | | M10 | 193 | 223 | 36 | 30 | 3.00 | M8 | 3,300 |
| 33174170 | DN 150 | M10 | 201 | 231 | 36 | 30 | 3.00 | M8 | 3,300 |
| 33174178 | | M10 | 209 | 239 | 36 | 30 | 3.00 | M8 | 3,300 |
| 33174186 | | M10 | 218 | 248 | 36 | 30 | 3.00 | M8 | 3,300 |
| 33174195 | | M10 | 226 | 256 | 36 | 30 | 3.00 | M8 | 3,300 |
| 33174203 | | M10 | 234 | 264 | 36 | 30 | 3.00 | M8 | 3,300 |