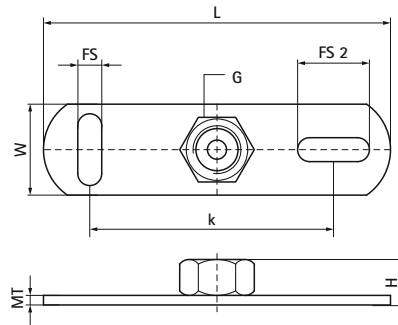


## Walraven Stainless Steel Wall Plate Resistance Welded A4

(M6515)

fixing to ceiling or floor



### Features & benefits

- fixings to wall, ceiling or floor (only tension loads recommended)
- slots at 90° to each other to simplify fixing
- material: stainless steel A4 (1.4401 / AISI 316)

Product Number	Connection Thread	Total Length	Total Width	Total Height	Material Thickness	Fixing Slot	Fixing Slot 2	Heart To Heart Distance	Maximum Allowed Load Faz
Reference letter	G	L	W	H	MT	FS	FS 2	k	Fa,z
Unit description		mm	mm	mm	mm	mm	mm	mm	N
6717008	M8	80	25	10	3.00	15x8,5	15x8,5	50	2,500