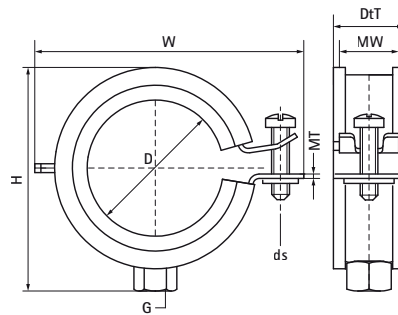


Walraven BISMAT® Flash (M8)

(A0504)

for steel, copper, cast iron and plastic (multilayer) pipe



Features & benefits

- single screw clamp
- with Walraven BISMAT® Flash quick locking system
- clamp easy to close with one hand
- the locking screw can be secured without use of tools
- material: steel
- zinc plated
- sound insulating lining according DIN 4109
- optimised noise insulation due to soft closing without tools
- noise reduction according to ISO 3822-1 up to 23 dB(A)
- tested for fire safety



Product Number	RSK Number	DN	Pipe Diameter Imperial	Connection Thread	Material Width	Material Thickness	Screw Size	Total Height	Total Width	Total Depth	Approvals	Maximum Allowed Load Faz
Reference letter		D	D	G	MW	MT	ds	H	W	DtT		F _{0,z}
Unit description			"		mm	mm		mm	mm	mm		N
3373018	3803894	DN 10	3/8	M8	20	1.00	M6	38	47	25	ETA, RAL-GZ 655/B, CE, RAL-GZ 656, ITB (KOT), ISO 3822-1, EPD	500
3373023	3803895	DN 15	1/2	M8	20	1.00	M6	43	52	25	ETA, RAL-GZ 655/B, RAL-GZ 656, CE, ITB (KOT), ISO 3822-1, EPD	500
3373028	3803896	DN 20	3/4	M8	20	1.00	M6	48	57	25	ETA, RAL-GZ 655/B, RAL-GZ 656, CE, ITB (KOT), ISO 3822-1, EPD	500
3373035	3803897	DN 25	1	M8	20	1.00	M6	55	64	25	ETA, RAL-GZ 655/B, RAL-GZ 656, CE, ITB (KOT), ISO 3822-1, EPD	500
3373043	3803898	DN 32	1 1/4	M8	20	1.25	M6	63	72	25	ETA, RAL-GZ 655/B, RAL-GZ 656, CE, ITB (KOT), ISO 3822-1, EPD	700
3373051	3803899	DN 40	1 1/2	M8	20	1.25	M6	71	80	25	ETA, RAL-GZ 655/B, RAL-GZ 656, CE, ITB (KOT), ISO 3822-1, EPD	700
3373056	3806117	-	-	M8	20	1.25	M6	76	85	25	ETA, RAL-GZ 655/B, RAL-GZ 656, CE, ITB (KOT), ISO 3822-1, EPD	700
3373063	3806128	DN 50	2	M8	20	1.25	M6	82	91	25	ETA, RAL-GZ 655/B, RAL-GZ 656, CE, ITB (KOT), ISO 3822-1, EPD	700