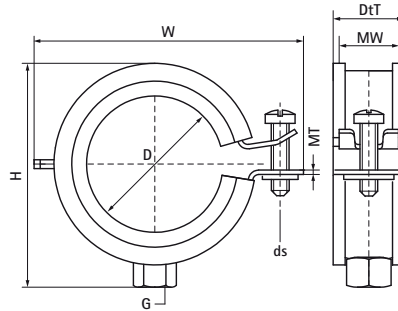


Walraven BISMAT® Flash (M8/M10)

(A0505)

for steel, copper, cast iron and plastic (multilayer) pipe



Features & benefits

- single screw clamp
- with Walraven BISMAT® Flash quick locking system
- clamp easy to close with one hand
- the locking screw can be secured without use of tools
- material: steel
- zinc plated
- sound insulating lining according DIN 4109
- optimised noise insulation due to soft closing without tools
- noise reduction according to ISO 3822-1 up to 23 dB(A)
- tested for fire safety



Product Number	RSK Number	DN	Pipe Diameter Imperial	Connection Thread	Material Width	Material Thickness	Screw Size	Total Height	Total Width	Total Depth	Approvals	Maximum Allowed Load Faz
Reference letter		D	D	G	MW	MT	ds	H	W	DtT		F _{a,z}
Unit description			"		mm	mm		mm	mm	mm		N
3374018	3800194	DN 10	3/8	M8/M10	20	1.00	M6	46	47	25	ETA, RAL-GZ 655/B, RAL-GZ 656, CE, ITB (KOT), ISO 3822-1, EPD	500
3374023	3800195	DN 15	1/2	M8/M10	20	1.00	M6	51	52	25	ETA, RAL-GZ 655/B, RAL-GZ 656, CE, ITB (KOT), ISO 3822-1, EPD	500
3374028	3800196	DN 20	3/4	M8/M10	20	1.00	M6	56	57	25	ETA, RAL-GZ 655/B, RAL-GZ 656, CE, ITB (KOT), ISO 3822-1, EPD	500
3374035	3800197	DN 25	1	M8/M10	20	1.00	M6	63	64	25	ETA, RAL-GZ 655/B, RAL-GZ 656, CE, ITB (KOT), ISO 3822-1, EPD	500
3374043	3800198	DN 32	1 1/4	M8/M10	20	1.25	M6	71	72	25	ETA, RAL-GZ 655/B, RAL-GZ 656, CE, ITB (KOT), ISO 3822-1, EPD	700
3374051	3800199	DN 40	1 1/2	M8/M10	20	1.25	M6	79	80	25	ETA, RAL-GZ 655/B, RAL-GZ 656, CE, ITB (KOT), ISO 3822-1, EPD	700
3374056	3806123	-	-	M8/M10	20	1.25	M6	84	85	25	ETA, RAL-GZ 655/B, RAL-GZ 656, CE, ITB (KOT), ISO 3822-1, EPD	700
3374063	3806129	DN 50	2	M8/M10	20	1.25	M6	90	91	25	ETA, RAL-GZ 655/B, RAL-GZ 656, CE, ITB (KOT), ISO 3822-1, EPD	700