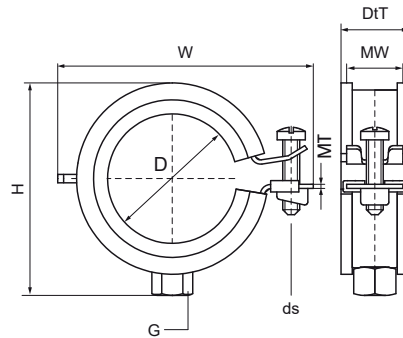


Walraven KSB1 Clamp (M8)

(A05108)

for steel, copper, cast iron and plastic (multilayer) pipe



Features & benefits

- single screw clamp
- with quick locking system, type KSB
- clamp easy to close with one hand
- material: steel
- zinc plated
- sound insulating lining according DIN 4109
- noise reduction according to ISO 3822-1 up to 23 dB(A)



Product Number	RSK Number	DN	Pipe Diameter Imperial	Connection Thread	Material Width	Material Thickness	Screw Size	Total Height	Total Width	Total Depth	Approvals	Maximum Allowed Load Faz
Reference letter		D	D	G	MW	MT	ds	H	W	DtT		Fa,z
Unit description		"			mm	mm		mm	mm	mm		N
3363014		DN 8	1/4	M8	20	1.00	M6	37	47	24	CE, ETA, ISO 3822-1, EPD	350
3363018		DN 10	3/8	M8	20	1.00	M6	38	47	25	CE, ETA, RAL-GZ 655/B, ISO 3822-1, EPD	350
3363023		DN 15	1/2	M8	20	1.00	M6	43	52	25	CE, ETA, RAL-GZ 655/B, ISO 3822-1, EPD	350
3363028		DN 20	3/4	M8	20	1.00	M6	48	57	25	CE, ETA, RAL-GZ 655/B, ISO 3822-1, EPD	450
3363035		DN 25	1	M8	20	1.00	M6	55	63	25	CE, ETA, RAL-GZ 655/B, ISO 3822-1, EPD	450
3363043		DN 32	1 1/4	M8	20	1.25	M6	63	72	25	CE, ETA, RAL-GZ 655/B, ISO 3822-1, EPD	600
3363051		DN 40	1 1/2	M8	20	1.25	M6	71	80	25	CE, ETA, RAL-GZ 655/B, ISO 3822-1, EPD	600
3363054		-	-	M8	20	1.25	M6	76	85	25	CE, ETA, RAL-GZ 655/B, ISO 3822-1, EPD	600
3363062	3804679	DN 50	2	M8	20	1.25	M6	82	91	25	CE, ETA, RAL-GZ 655/B, ISO 3822-1, EPD	600