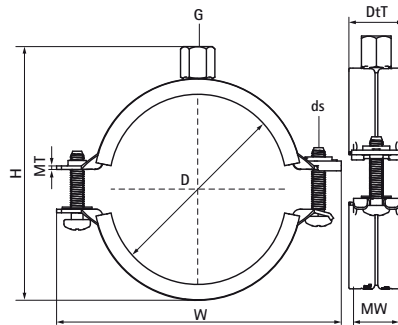


Walraven KSB2 Clamp (M8/M10)

(A05116)

for steel, copper, cast iron and plastic (multilayer) pipe



Features & benefits

- two-screw clamp
- quick closing mechanism for easy locking of the clamp with one hand
- full range from 10 to 225 mm
- tested for fire safety
- material: steel
- zinc plated
- temperature resistance from -30 °C to +120 °C
- sound insulating lining according DIN 4109
- noise reduction according to ISO 3822-1 up to 21 dB(A)



Product Number	RSK Number	DN	Pipe Diameter Imperial	Connection Thread	Total Height	Total Width	Total Depth	Material Width	Material Thickness	Screw Size	Maximum Allowed Load Faz	Approvals
Reference letter		D	D	G	H	W	DtT	MW	MT	ds	Fa,z	
Unit description		mm										N
3396014	3793744	DN 8	1/4	M8/M10	42	59	25	20	1.25	M6	495	CE, ETA, RAL-GZ 655/B, ITB (KOT), EPD, EN1363-1
3396019	3793745	DN 10	3/8	M8/M10	46	63	25	20	1.25	M6	495	CE, ETA, RAL-GZ 655/B, ITB (KOT), EPD, EN1363-1
3396023	3793746	DN 15	1/2	M8/M10	51	68	25	20	1.25	M6	495	CE, ETA, RAL-GZ 655/B, ITB (KOT), EPD, EN1363-1
3396028	3793747	DN 20	3/4	M8/M10	57	74	25	20	1.25	M6	495	CE, ETA, RAL-GZ 655/B, ITB (KOT), EPD, EN1363-1
3396035	3793748	DN 25	1	M8/M10	63	80	25	20	1.25	M6	495	CE, ETA, RAL-GZ 655/B, ITB (KOT), EPD, EN1363-1
3396039	3793749	-	-	M8/M10	67	84	25	20	1.25	M6	495	CE, ETA, RAL-GZ 655/B, ITB (KOT), EPD, EN1363-1
3396045	3793750	DN 32	1 1/4	M8/M10	74	91	25	20	1.25	M6	495	CE, ETA, RAL-GZ 655/B, ITB (KOT), EPD, EN1363-1
3396052	3793751	DN 40	1 1/2	M8/M10	80	97	25	20	1.25	M6	495	CE, ETA, RAL-GZ 655/B, ITB (KOT), EPD, EN1363-1
3396058	3793752	-	-	M8/M10	87	104	25	20	1.25	M6	495	CE, ETA, RAL-GZ 655/B, ITB (KOT), EPD, EN1363-1
3396064	3793753	DN 50	2	M8/M10	92	109	25	20	1.25	M6	495	CE, ETA, RAL-GZ 655/B, ITB (KOT), EPD, EN1363-1
3396070	3793754	-	-	M8/M10	100	118	25	20	1.50	M6	560	CE, ETA, RAL-GZ 655/B, ITB (KOT), EPD, EN1363-1
3396079	3793755	DN 65	2 1/2	M8/M10	108	125	25	20	1.50	M6	560	CE, ETA, RAL-GZ 655/B, ITB (KOT), EPD, EN1363-1
3396083	3793756	-	-	M8/M10	114	132	25	20	1.50	M6	560	CE, ETA, RAL-GZ 655/B, ITB (KOT), EPD, EN1363-1
3396091	3793757	DN 80	3	M8/M10	123	142	28	23	2.00	M6	1,055	CE, ETA, RAL-GZ 655/B, ITB (KOT), EPD, EN1363-1
3396105	3793758	-	-	M8/M10	137	155	28	23	2.00	M6	1,055	CE, ETA, RAL-GZ 655/B, ITB (KOT), EPD, EN1363-1
3396115	3793759	DN 100	4	M8/M10	145	164	28	23	2.00	M6	1,055	CE, ETA, RAL-GZ 655/B, ITB (KOT), EPD, EN1363-1
3396130	3793760	-	-	M8/M10	162	181	28	23	2.00	M6	1,055	CE, ETA, RAL-GZ 655/B, ITB (KOT), EPD, EN1363-1
3396140	3793761	DN 125	5	M8/M10	173	191	28	23	2.00	M6	1,055	CE, ETA, RAL-GZ 655/B, ITB (KOT), EPD, EN1363-1
3396160	3793762	-	-	M8/M10	193	211	28	23	2.00	M6	1,055	CE, ETA, RAL-GZ 655/B, ITB (KOT), EPD, EN1363-1
3396169	3793763	DN 150	6	M8/M10	203	225	29	25	2.50	M8	2,250	CE, ETA, RAL-GZ 655/B, ITB (KOT), EPD, EN1363-1
3396180	3793764	-	-	M8/M10	216	238	29	25	2.50	M8	2,250	CE, ETA, RAL-GZ 655/B, ITB (KOT), EPD, EN1363-1

Walraven KSB2 Clamp (M8/M10)

(A05116)

for steel, copper, cast iron and plastic (multilayer) pipe

Product Number	RSK Number	DN	Pipe Diameter Imperial	Connection Thread	Total Height	Total Width	Total Depth	Material Width	Material Thickness	Screw Size	Maximum Allowed Load Faz	Approvals
<i>Reference letter</i>		<i>D</i>	<i>D</i>	<i>G</i>	<i>H</i>	<i>W</i>	<i>DtT</i>	<i>MW</i>	<i>MT</i>	<i>ds</i>	<i>Fa,z</i>	
<i>Unit description</i>			"		mm	mm	mm	mm	mm		N	
3396200	3793765	-	-	M8/M10	235	257	29	25	2.50	M8	2,250	CE, ETA, RAL-GZ 655/B, ITB (KOT), EPD
3396210	3793766	-	-	M8/M10	247	269	29	25	2.50	M8	2,250	CE, ETA, RAL-GZ 655/B, ITB (KOT), EPD
3396225	3793767	DN 200	8	M8/M10	261	283	29	25	2.50	M8	2,250	CE, ETA, RAL-GZ 655/B, ITB (KOT), EPD